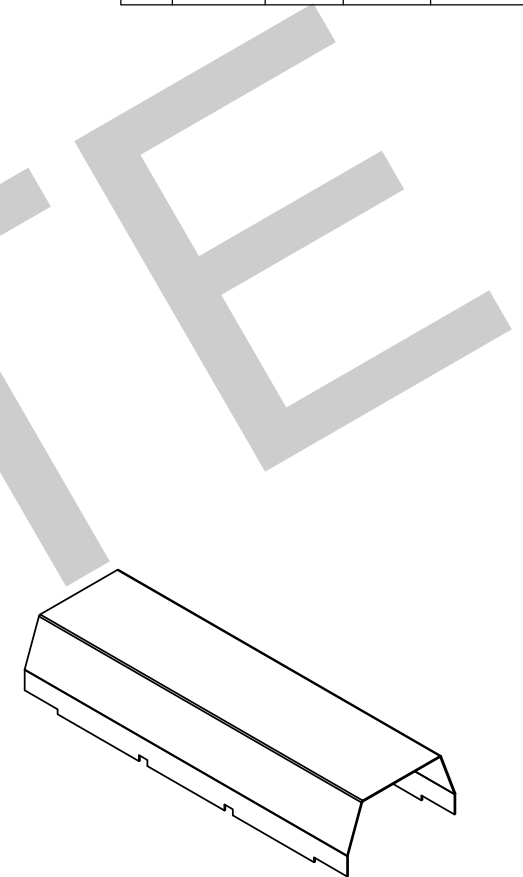
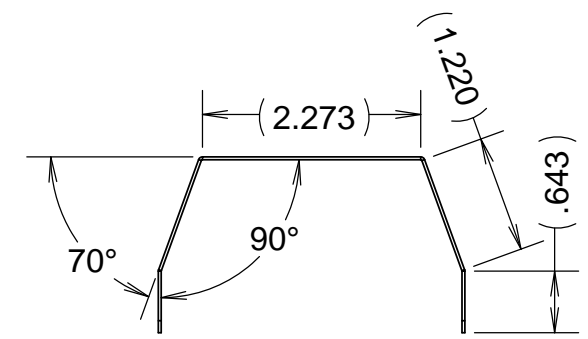
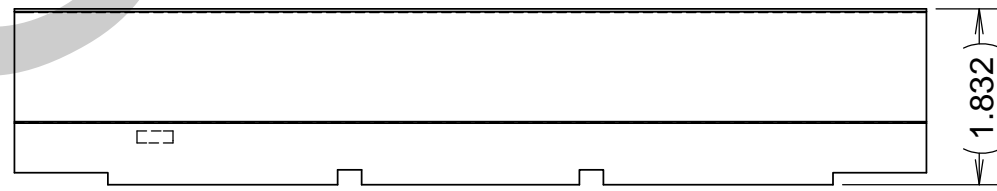
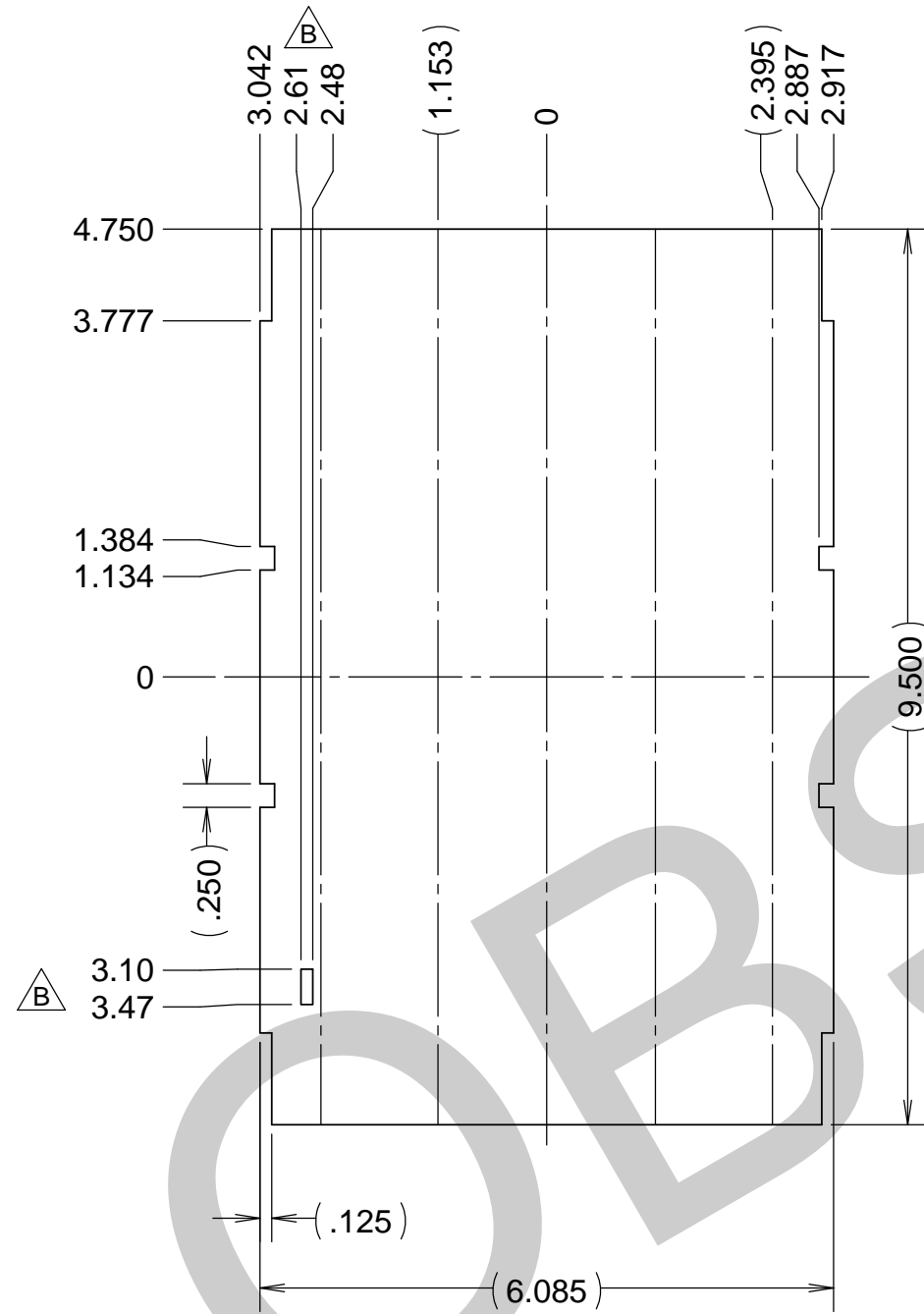


REVISIONS				
REV	DATE	DRW'N	CHCK'D	DESCRIPTION
A	26JUL17	GFC	JW	INITIAL RELEASE
B	27JUL17	GFC	JW	CLEARANCE HOLE ADDED

FLAT PATTERN



NOTES

1 CAD MODEL FILENAME, 872-LM1209 Encoder Baffle

UNLESS OTHERWISE NOTED DIMENSIONS ARE IN INCHES & TOLERANCES ARE AS FOLLOWS

X.X: ±0.1000" X.XX: ±0.0100"  
 X.XXX: ±0.0050" X.XXXX: ±0.0001"  
 ANGLES: ±0.5° FINISH: 125 MICRO INCHES  
 BREAK ALL SHARP EDGES  
 & CORNERS .002" MAX

MATERIAL: AL 6061 .030 THK  
 FINISH: BLACK ANODIZE



DRAWN	CABAK	--	KECK 1 DEPLOYABLE TERTIARY MIRROR
CHECKED	--	--	STOW & DEPLOY SYSTEM
DESIGNED	CABAK	--	TITLE
APPROVED	CABAK	--	ENCODER BAFFLE
SW DOCUMENT FILE	1	PROJECT CODE	K1D3FD
		DWG NO	872-LM1209
		NEXT ASSY	--
			B 1/1