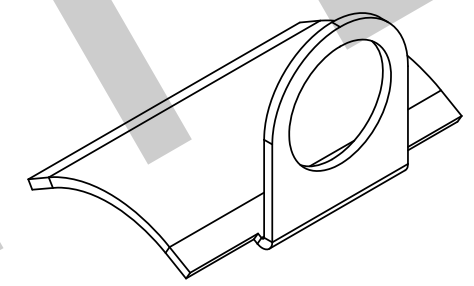
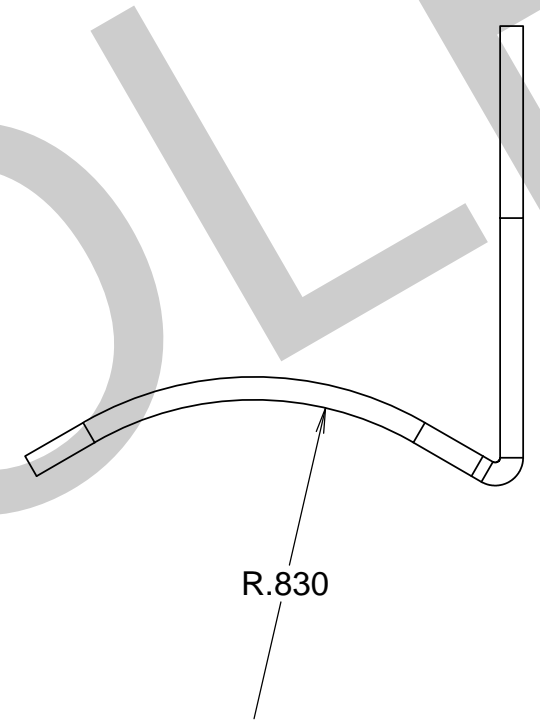
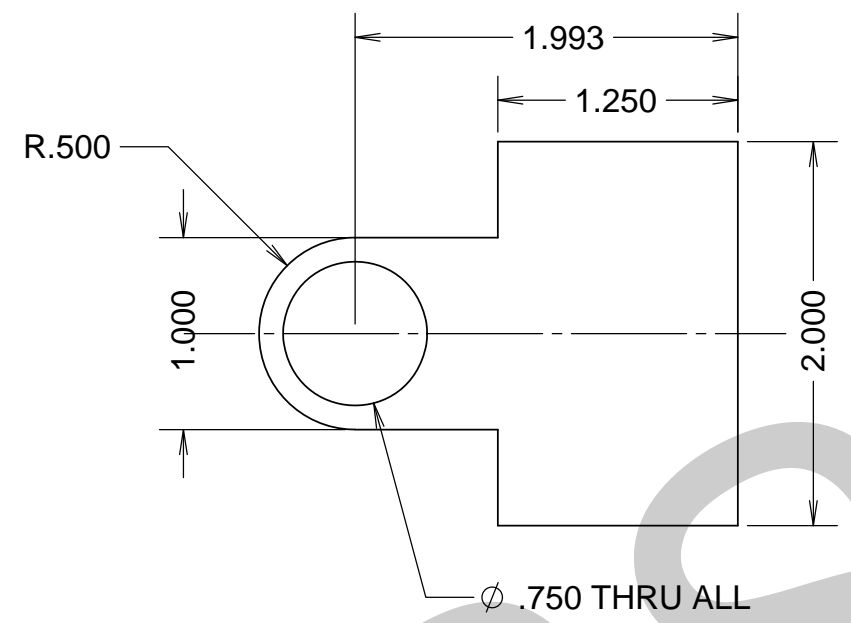


REVISIONS				
REV	DATE	DRW'N	CHCK'D	DESCRIPTION
A	13MAY17	GFC		INITIAL RELEASE

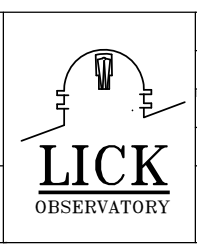


**NOTES**

1 CAD MODEL FILENAME, 872-LM1208 Bipod Eye

UNLESS OTHERWISE NOTED DIMENSIONS ARE IN INCHES & TOLERANCES ARE AS FOLLOWS

X.X: $\pm 0.1000''$	X.XX: $\pm 0.0100''$
X.XXX: $\pm 0.0050''$	X.XXXX: $\pm 0.0001''$
ANGLES: $\pm 0.5^\circ$ FINISH: 125 MICRO INCHES BREAK ALL SHARP EDGES & CORNERS .002" MAX	
MATERIAL 1/16" AL	FINISH --



DRAWN CABAK	--	PROJECT CODE K1D3FD	DWG NO 872-LM1208
CHECKED --	--	TITLE BIPOD EYE	A 1/1
DESIGNED CABAK	--	SW DOCUMENT FILE 1	
DRAWN/CHECKER CABAK	--	NEXT ASSY --	