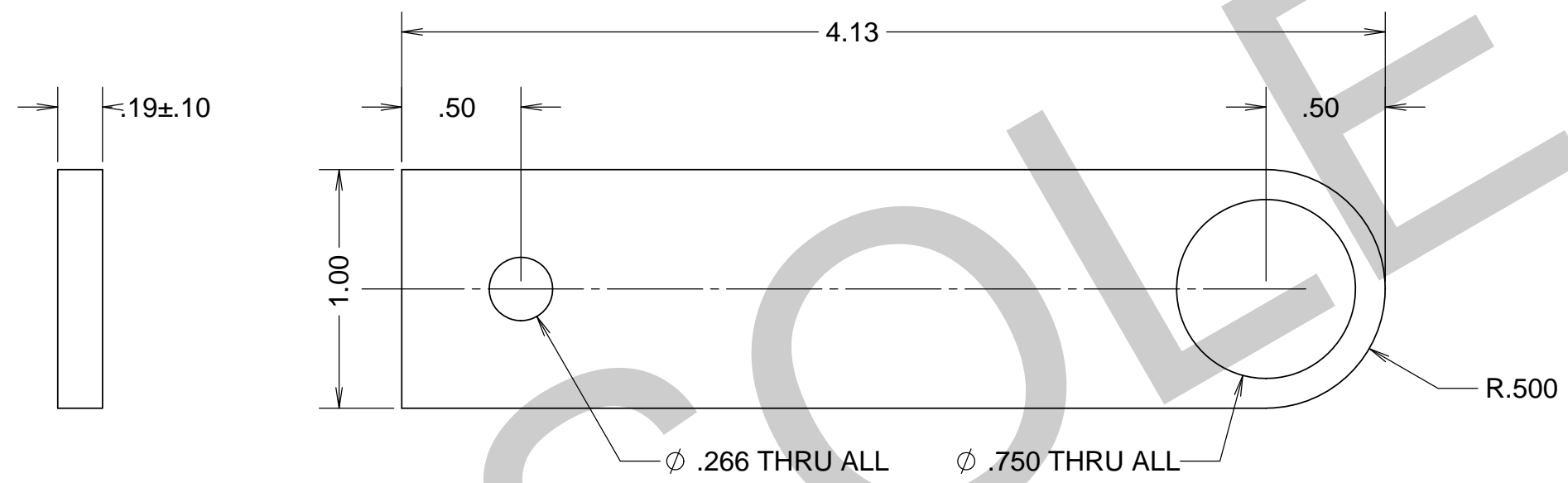


REVISIONS				
REV	DATE	DRW'N	CHK'D	DESCRIPTION
A	13MAY17	GFC	--	INITIAL RELEASE

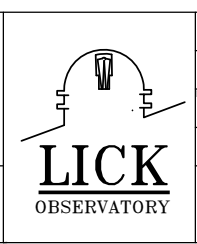


**NOTES**

1 CAD MODEL FILENAME, 872-LM1207 SwingArm Attach Eye

UNLESS OTHERWISE NOTED DIMENSIONS ARE IN INCHES & TOLERANCES ARE AS FOLLOWS

X.X: ±0.1000"	X.XX: ±0.0100"
X.XXX: ±0.0050"	X.XXXX: ±0.0001"
ANGLES: ±0.5° FINISH: 125 MICRO INCHES BREAK ALL SHARP EDGES & CORNERS .002" MAX	
MATERIAL AL 5xxx/6xxx	FINISH --



DRAWN CABAK	--	KECK 1 DEPLOYABLE TERTIARY MIRROR STOW & DEPLOY SYSTEM
CHECKED --	--	TITLE SWING ARM ATTACHMENT EYE
DESIGNED CABAK	--	PROJECT CODE K1D3FD
DRAWN CABAK	--	DWG NO 872-LM1207
SW DOCUMENT FILE 1		NEXT ASSY --

A  
1/1