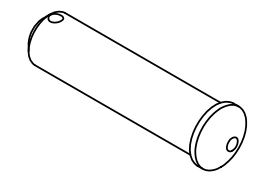
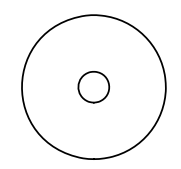
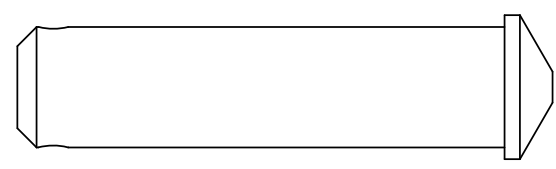
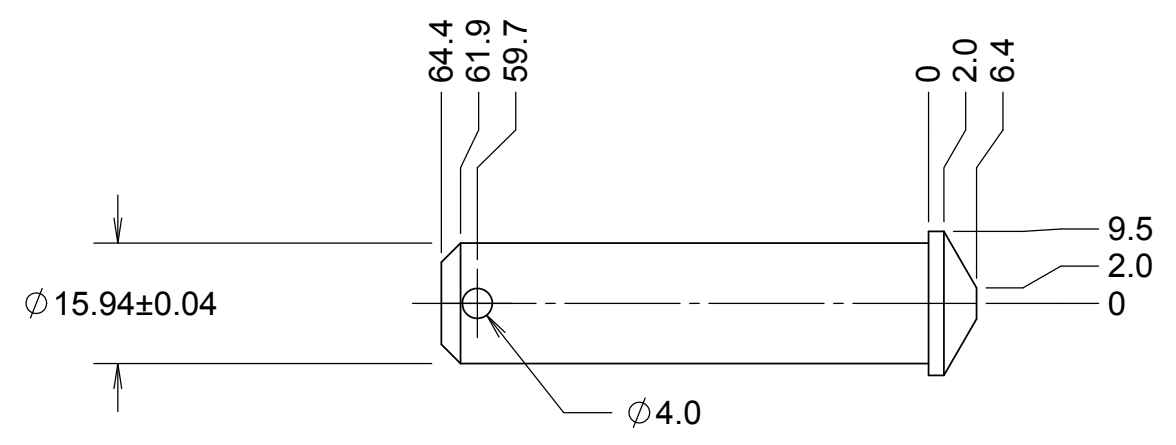


8 7 6 5 4 3 2 1

REVISIONS				
DRWN	DATE	CHK'D	REV	DESCRIPTION
CR	7/14/16		A	INITIAL RELEASE
CR	4/11/17		B	MOVED COTTER PIN HOLE, SLIM HEAD



D  
C  
B  
A

D  
C  
B  
A

**NOTES**

- 1. CAN BE MADE FROM MCMASTER CARR PART 92401A759

UNLESS OTHERWISE NOTED DIMENSIONS ARE IN MILLIMETERS & TOLERANCES ARE AS FOLLOWS: X.X: ±0.10 mm X.XX: ±0.01 mm ANGLES: ±0.5° FINISH: 3 MICRONS (µm) BREAK ALL SHARP EDGES & CORNERS .25mm MAX			DRAWN <b>C. RATLIFF</b>	KECK 1 DEPLOYABLE TERTIARY MIRROR	
SEE NOTE 1			CHECKED <b>J. WARD</b>	STOW & DEPLOY SYSTEMS	
			DESIGNED <b>C. RATLIFF</b>	7/15/16	TITLE MODIFIED CLEVIS PIN
			SW DOCUMENT FILE 872-LM1205_MODIFIED_CLEVIS_PIN	QUANTITY 2	PROJECT CODE K1D3FD NEXT ASSY 872-LM1200
			DWG NO 872-LM1205		REV B 1

8 7 6 5 4 3 2 1