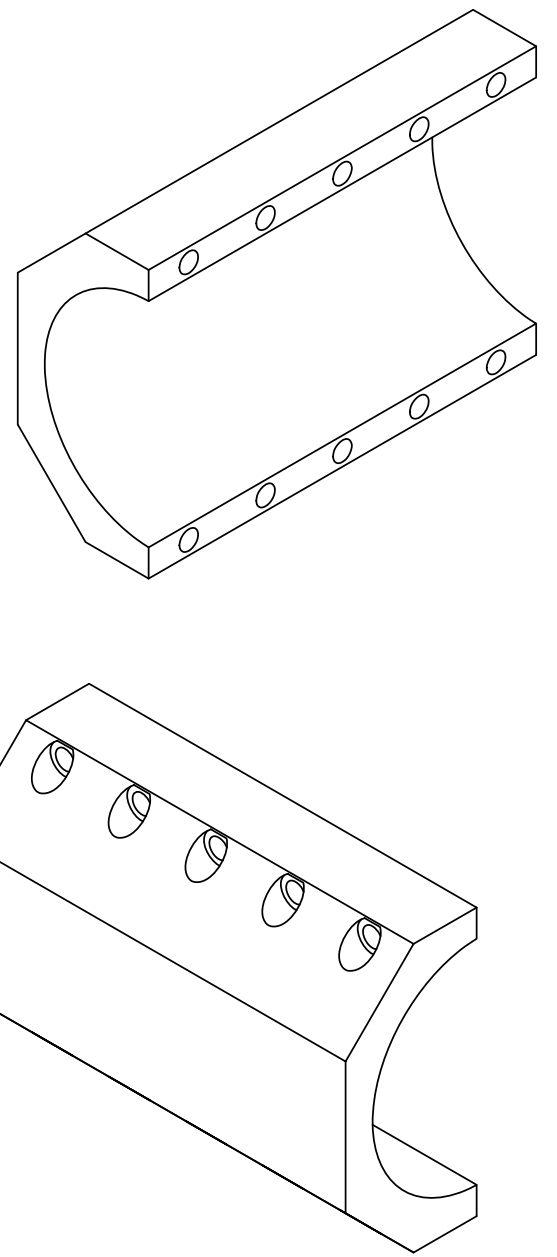
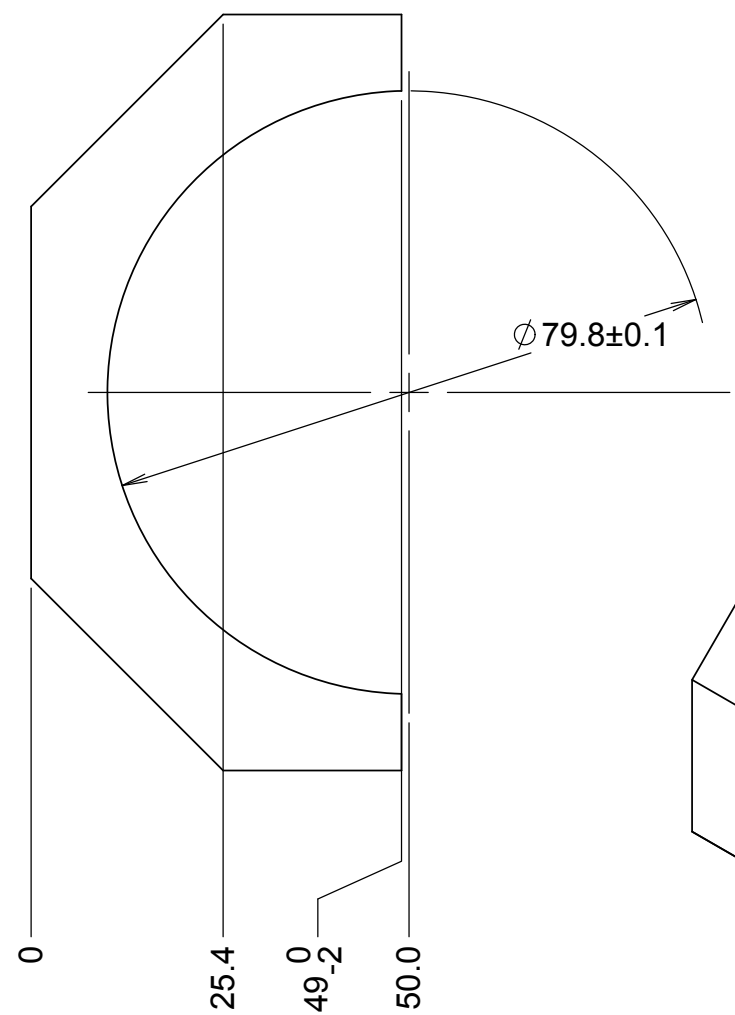
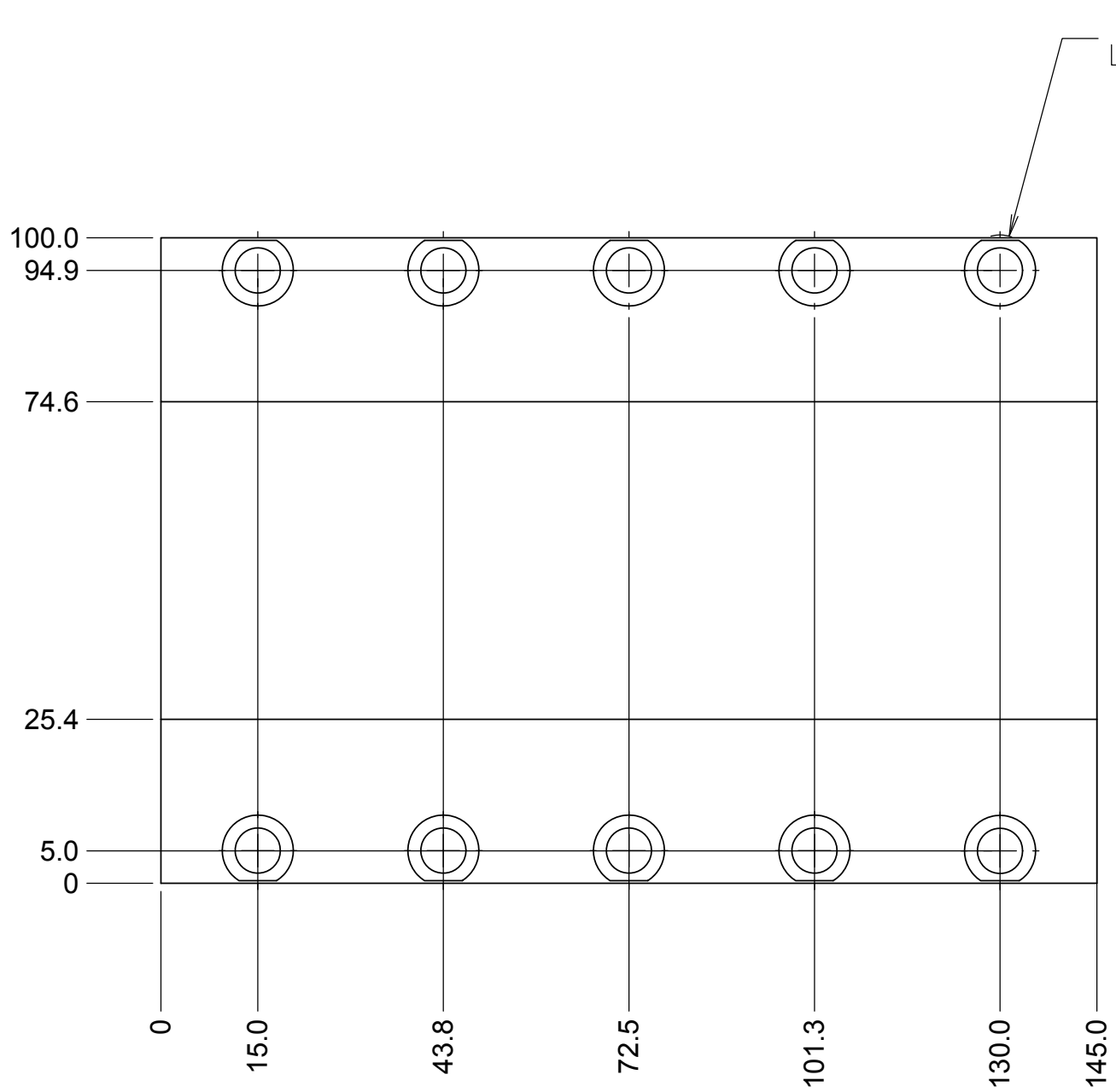


REVISIONS				
DRWN	DATE	CHK'D	REV	DESCRIPTION
CR	7/14/16		A	INITIAL RELEASE
CR	11/3/16		B	CHANGED LARGE HOLE FROM 79.5 TO 79.8, LOOSENED TOL.

D  
C  
B  
A



**NOTES**  
1. 7075 T6 ALUMINUM

UNLESS OTHERWISE NOTED DIMENSIONS ARE IN MILLIMETERS & TOLERANCES ARE AS FOLLOWS: X.X: ±0.10 mm X.XX: ±0.01 mm ANGLES: ±0.5° FINISH: 3 MICRONS (µm) BREAK ALL SHARP EDGES & CORNERS .25mm MAX			DRAWN <b>C. RATLIFF</b> CHECKED <b>J. WARD</b> DESIGNED <b>C. RATLIFF</b> ENGINEER	PROJECT CODE <b>K1D3FD</b> NEXT ASSY 872-LM1200	TITLE <b>LOWER SWING ARM ATTACHMENT CLAMP</b>	QUANTITY <b>2</b>	DWG NO <b>872-LM1204</b>	REV <b>B</b> 1
MATERIAL SEE NOTE 1	FINISH --		SW DOCUMENT FILE 872-LM1204 LOWER SWING ARM ATTACHMENT CLAMP.SLDPRT	PROJECT CODE <b>K1D3FD</b> NEXT ASSY 872-LM1200	TITLE <b>LOWER SWING ARM ATTACHMENT CLAMP</b>	QUANTITY <b>2</b>	DWG NO <b>872-LM1204</b>	REV <b>B</b> 1

8 7 6 5 4 3 2 1