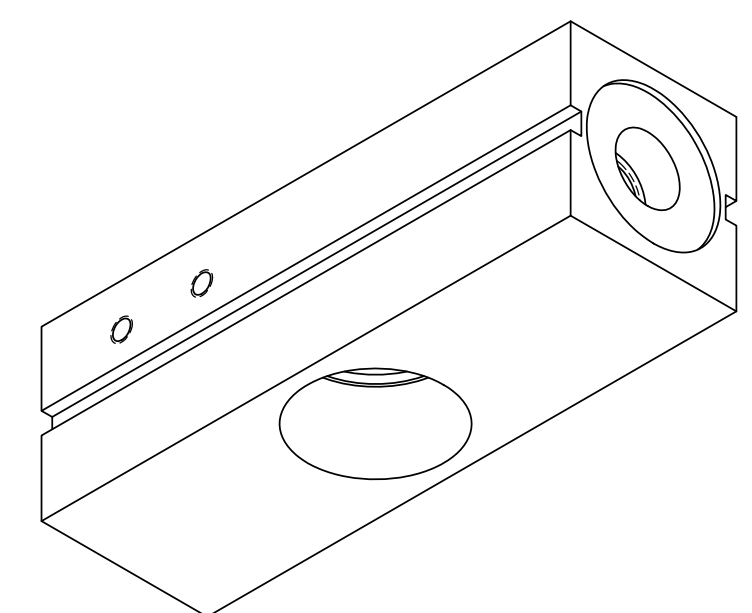
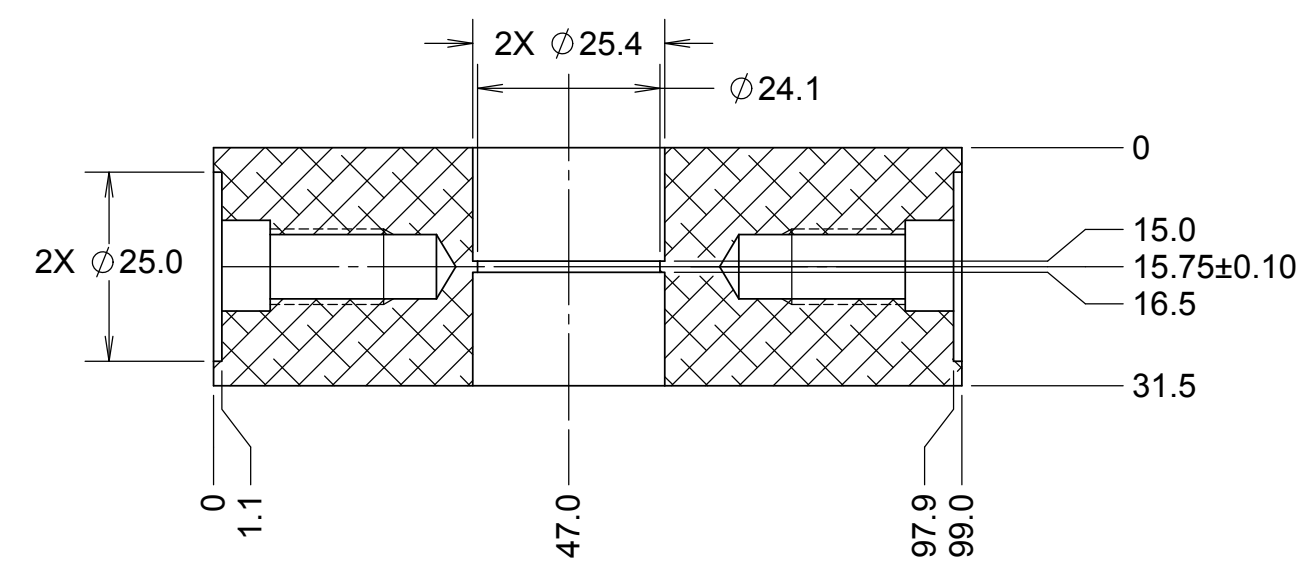
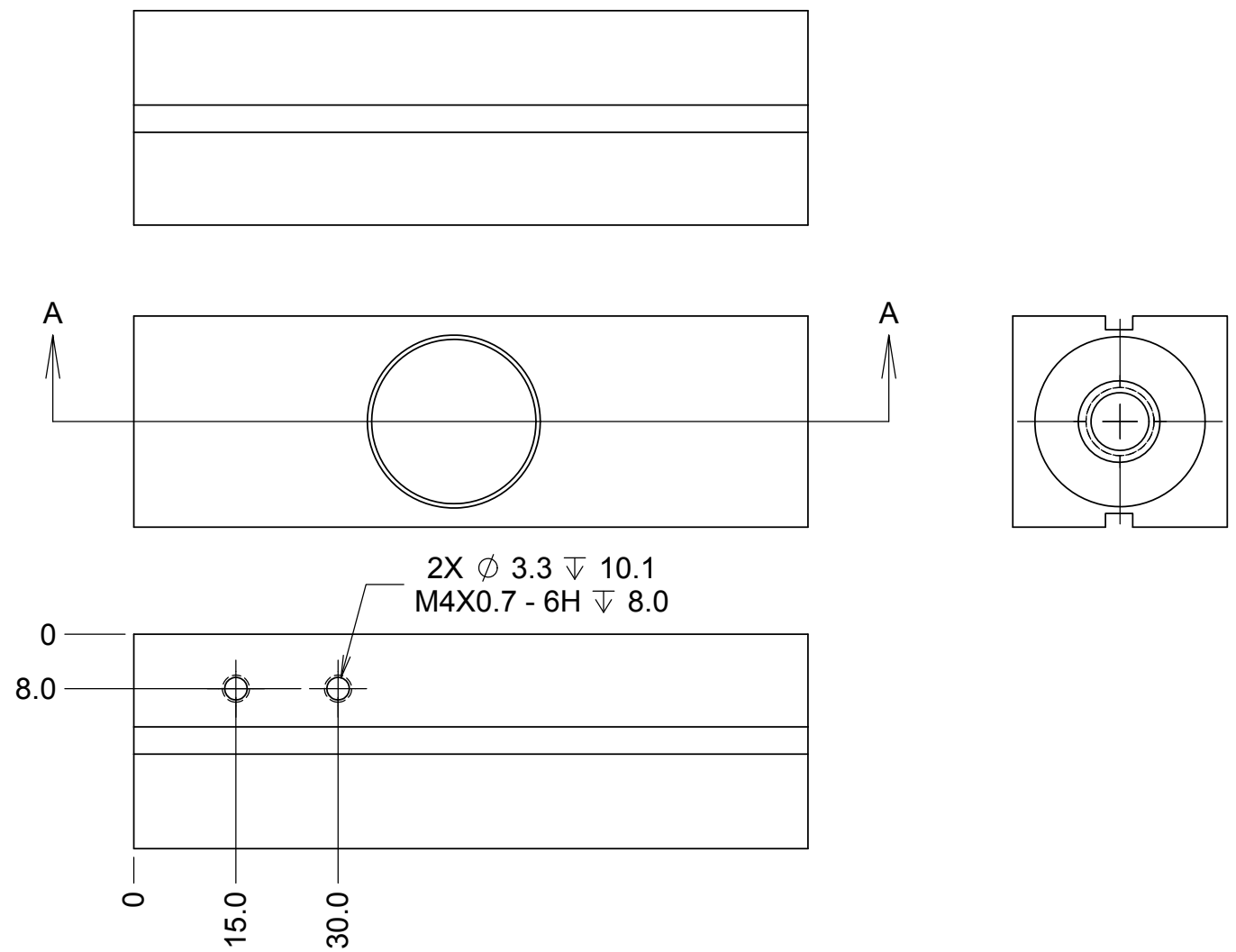
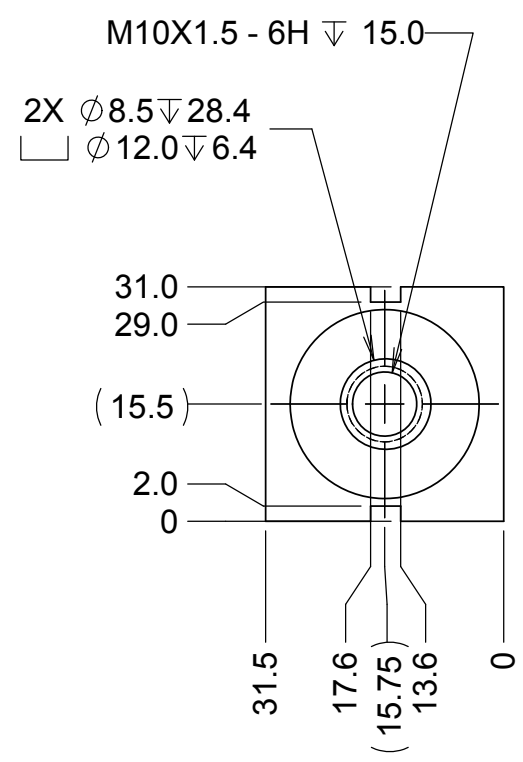


REVISIONS				
DRWN	DATE	CHK'D	REV	DESCRIPTION
CR	7/14/16		A	INITIAL RELEASE

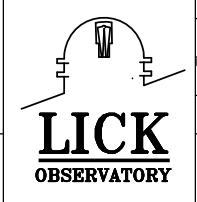


NOTES

- 300 SERIES STAINLESS STEEL

**SECTION A-A
SCALE 1 : 1**

UNLESS OTHERWISE NOTED DIMENSIONS ARE IN MILLIMETERS & TOLERANCES ARE AS FOLLOWS:
 X.X: ±0.10 mm X.XX: ±0.01 mm
 ANGLES: ±0.5° FINISH: 3 MICRONS (µm)
 BREAK ALL SHARP EDGES & CORNERS .25mm MAX



DRAWN C. RATLIFF CHECKED J. WARD DESIGNED C. RATLIFF ENGINEER	7/14/16	PROJECT CODE K1D3FD NEXT ASSY 872-LM1200	DWG NO 872-LM1202	REV A 1/1
SW DOCUMENT FILE 872-LM1202_U-JOINT CROSS.SLDPRT		QUANTITY 1	KECK 1 DEPLOYABLE TERTIARY MIRROR STOW & DEPLOY SYSTEMS TITLE UNIVERSAL JOINT CROSS	