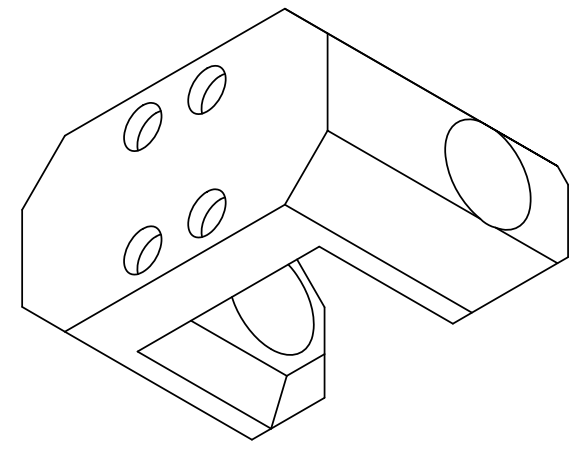
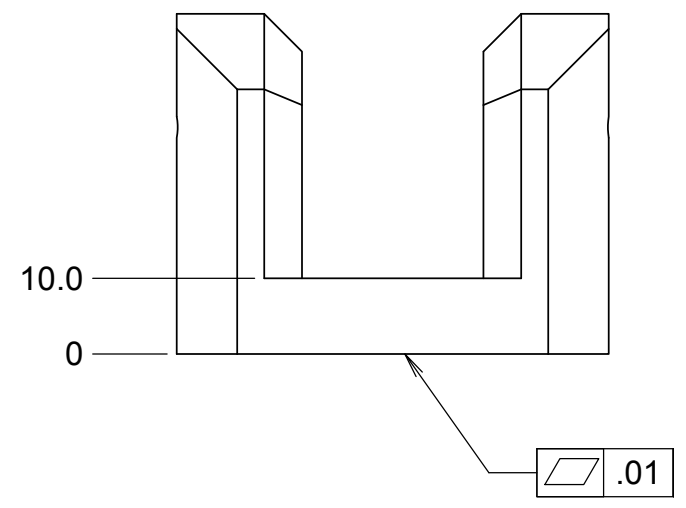
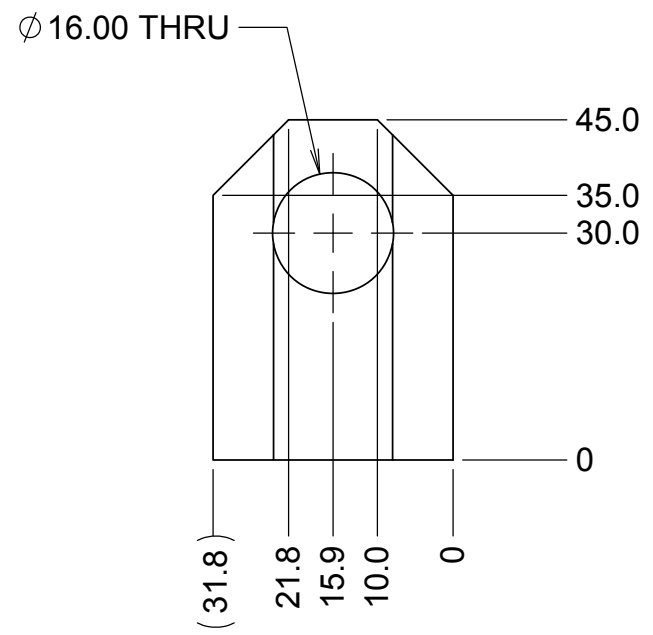
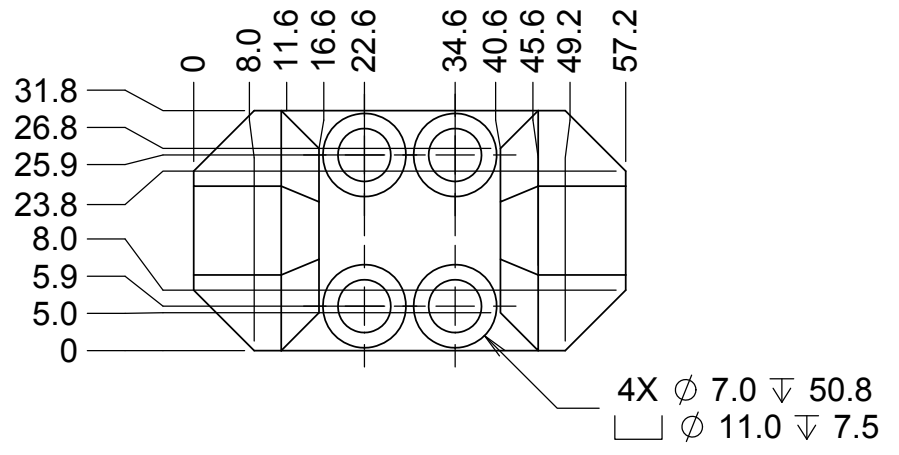


REVISIONS				
DRWN	DATE	CHK'D	REV	DESCRIPTION
CR	7/14/16		A	INITIAL RELEASE



NOTES

- 300 SERIES STAINLESS STEEL

UNLESS OTHERWISE NOTED DIMENSIONS ARE IN MILLIMETERS & TOLERANCES ARE AS FOLLOWS: X.X: \pm 0.10 mm X.XX: \pm 0.01 mm ANGLES: \pm 0.5° FINISH: 3 MICRONS (μ m) BREAK ALL SHARP EDGES & CORNERS .25mm MAX			DRAWN C. RATLIFF	KECK 1 DEPLOYABLE TERTIARY MIRROR	
SEE NOTE 1			CHECKED J. WARD	STOW & DEPLOY SYSTEMS	
		DESIGNED C. RATLIFF	7/14/16	TITLE LINEAR ACTUATOR PIVOT BASE	
		SW DOCUMENT FILE 872-LM1201_pivot_base.SLDPRT	QUANTITY 2	PROJECT CODE K1D3FD	DWG NO 872-LM1201
				REV A	1