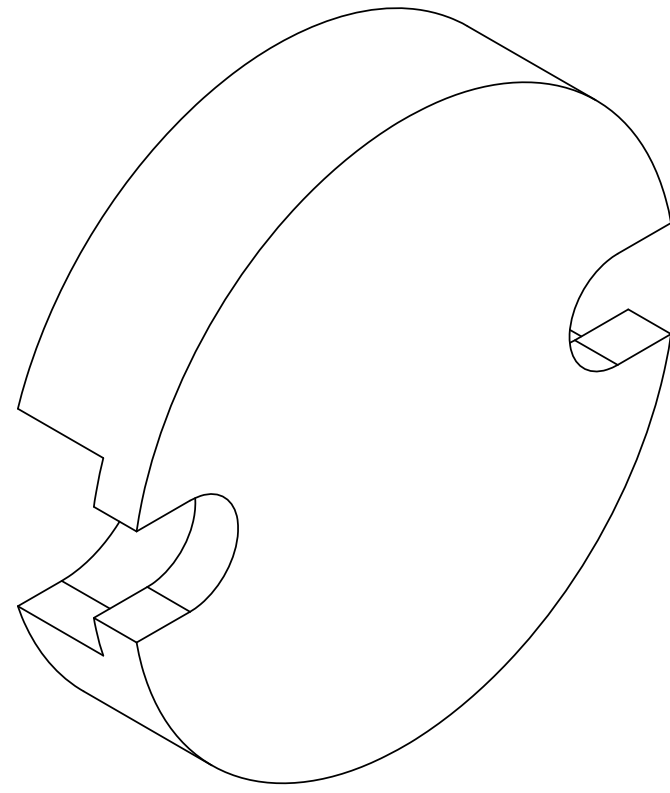
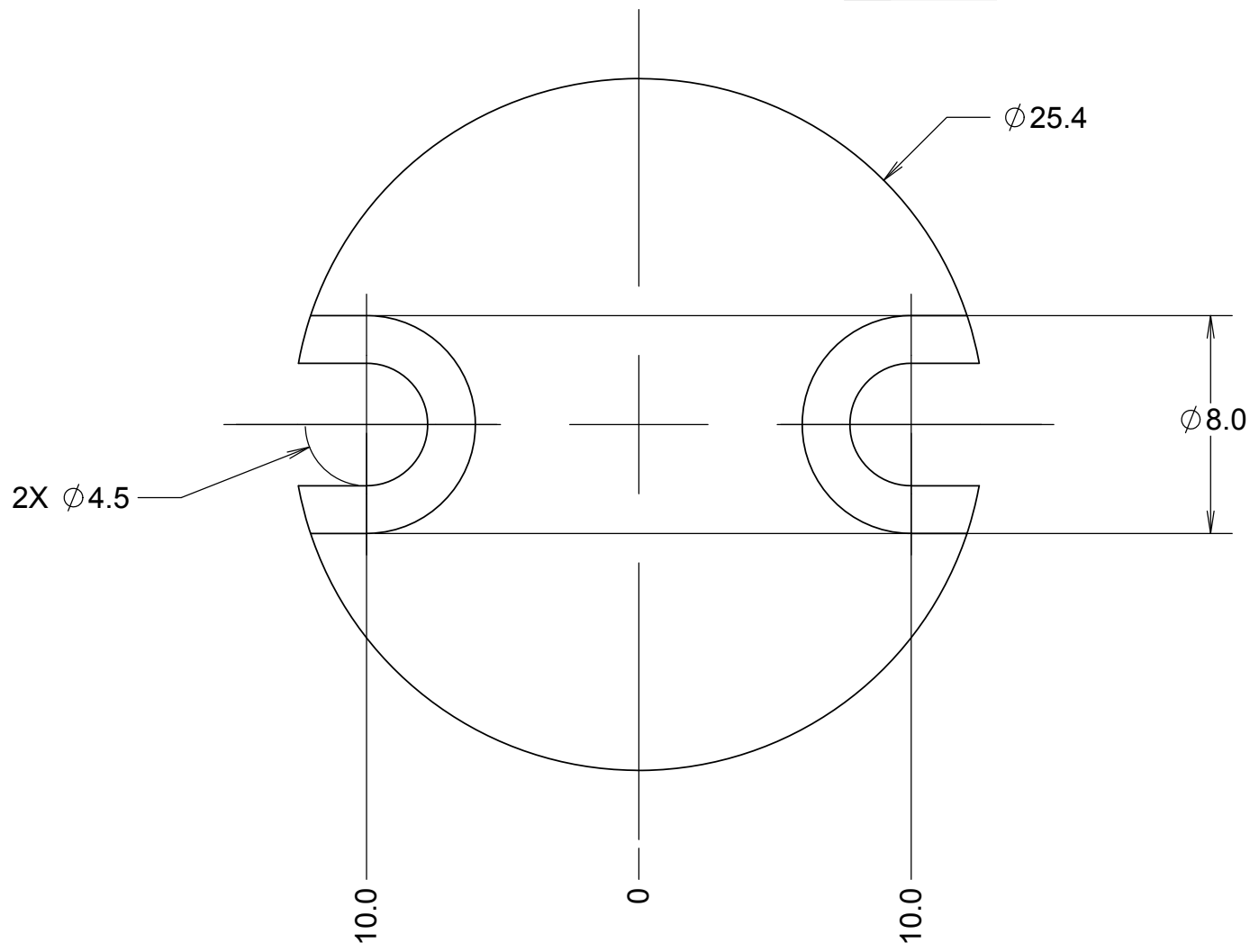
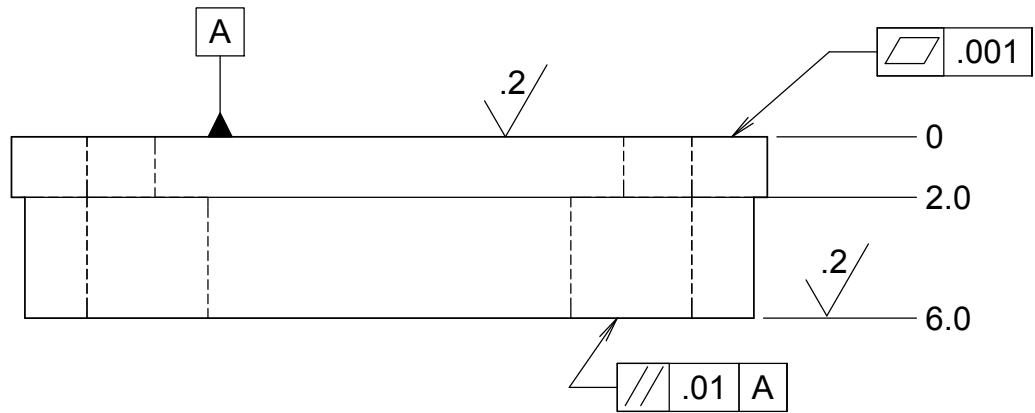


8 7 6 5 4 3 2 1

REVISIONS				
DRWN	DATE	CHK'D	REV	DESCRIPTION
CR	7/8/16		A	INITIAL RELEASE



D
C
B
A

D
C
B
A

NOTES

- 440C STAINLESS STEEL, MINIMUM HARDNESS 58 ROCKWELL C

UNLESS OTHERWISE NOTED DIMENSIONS ARE IN MILLIMETERS & TOLERANCES ARE AS FOLLOWS: X.X: ±0.10 mm X.XX: ±0.01 mm ANGLES: ±0.5° FINISH: 3 MICRONS (µm) BREAK ALL SHARP EDGES & CORNERS .25mm MAX			DRAWN C. RATLIFF	KECK 1 DEPLOYABLE TERTIARY MIRROR	
SEE NOTE 1			CHECKED J. WARD	STOW & DEPLOY SYSTEMS	
			DESIGNED C. RATLIFF	7/8/16	TITLE LVDT CONTACT, HINGE
			SW DOCUMENT FILE 872-LM1103 LVDT CONTACT.SLDPRT	QUANTITY 1	PROJECT CODE K1D3FD NEXT ASSY 872-LM1103
			DWG NO 872-LM1103		REV A 1/1

8 7 6 5 4 3 2 1