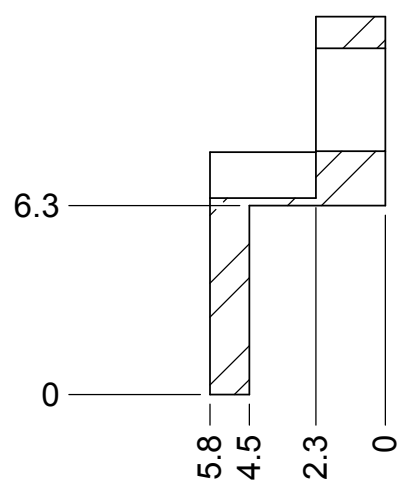
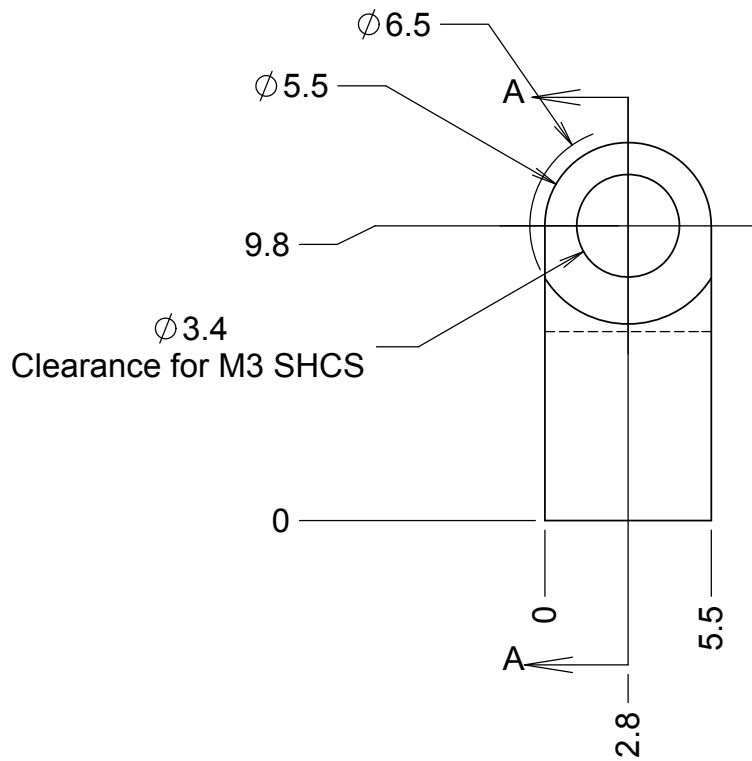
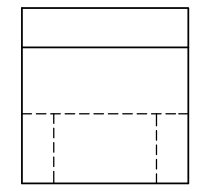
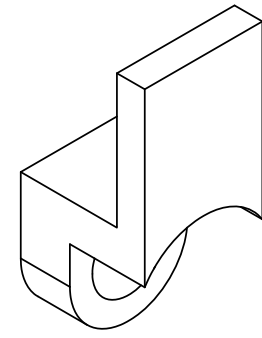


REVISIONS				
DRWN	DATE	CHK'D	REV	DESCRIPTION
CR	7/8/16		A	INITIAL RELEASE
CR	11/1/16		B	ADDED DIMS



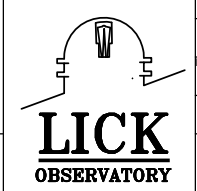
SECTION A-A  
SCALE 4 : 1



**NOTES**

- 300 SERIES STAINLESS STEEL

UNLESS OTHERWISE NOTED DIMENSIONS ARE  
 IN MILLIMETERS & TOLERANCES ARE AS FOLLOWS:  
 X.X:  $\pm 0.10$  mm X.XX:  $\pm 0.01$  mm  
 ANGLES:  $\pm 0.5^\circ$  FINISH: 3 MICRONS ( $\mu\text{m}$ )  
 BREAK ALL SHARP EDGES & CORNERS .25mm MAX



DRAWN  
**C. RATLIFF**  
 CHECKED  
**J. WARD**  
 DESIGNED  
**C. RATLIFF**  
 ENGINEER

7/8/16

KECK 1 DEPLOYABLE TERTIARY MIRROR  
 STOW & DEPLOY SYSTEMS  
 TITLE  
**HINGE BEARING RETAINER**

MATERIAL  
 SEE NOTE 1  
 FINISH  
 --

SW DOCUMENT  
 FILE  
 872-LM1102\_HINGE  
 BEARING  
 RETAINER.SLDPRT

QUANTITY  
**8**

PROJECT CODE  
**K1D3FD**  
 NEXT ASSY  
 872-LM1102

DWG NO  
**872-LM1102**

REV  
**B**  
 1