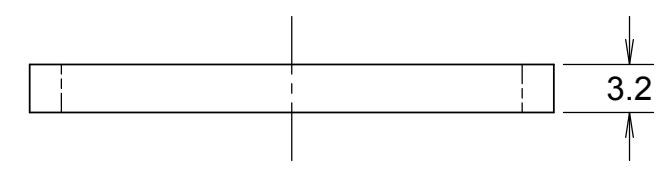
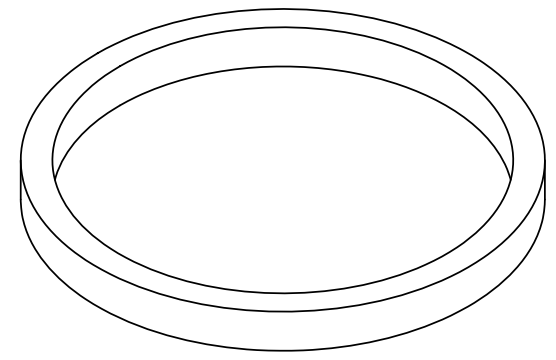
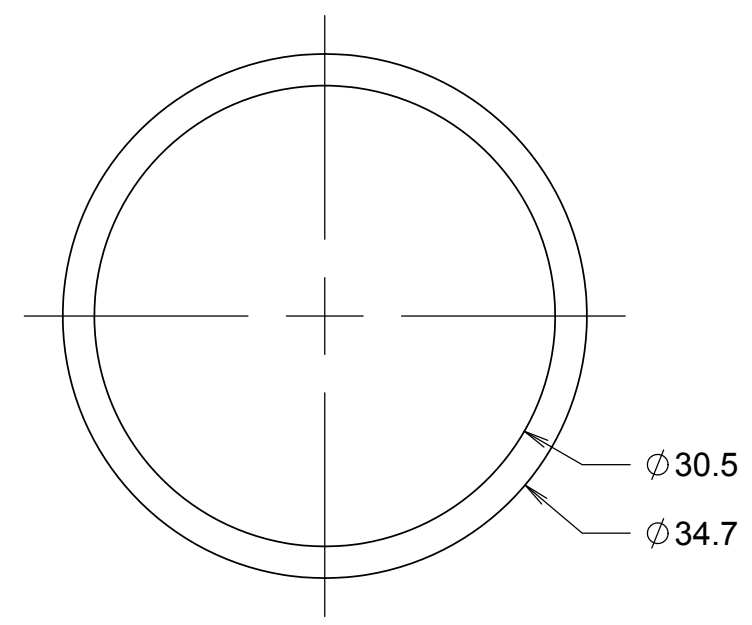


8 7 6 5 4 3 2 1

REVISIONS				
DRWN	DATE	CHK'D	REV	DESCRIPTION
CR	7/8/16		A	INITIAL RELEASE

D
C
B
A

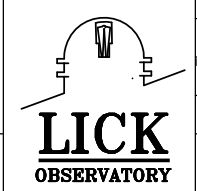
D
C
B
A



NOTES

1. 6061T6 ALUMINUM

UNLESS OTHERWISE NOTED DIMENSIONS ARE IN MILLIMETERS & TOLERANCES ARE AS FOLLOWS:
 X.X: ±0.10 mm X.XX: ±0.01 mm
 ANGLES: ±0.5° FINISH: 3 MICRONS (µm)
 BREAK ALL SHARP EDGES & CORNERS .25mm MAX



MATERIAL	FINISH
SEE NOTE 1	--

DRAWN
C. RATLIFF
 CHECKED
J. WARD
 DESIGNED
C. RATLIFF
 ENGINEER

7/8/16

KECK 1 DEPLOYABLE TERTIARY MIRROR
 STOW & DEPLOY SYSTEMS
 HINGE O-RING SPACER

SW DOCUMENT FILE
 872-LM1101 o-ring spacer.SLDPRT

QUANTITY
2

PROJECT CODE
K1D3FD
 NEXT ASSY
872-LM1100

DWG NO
872-LM1101

REV	A
	1

8 7 6 5 4 3 2 1