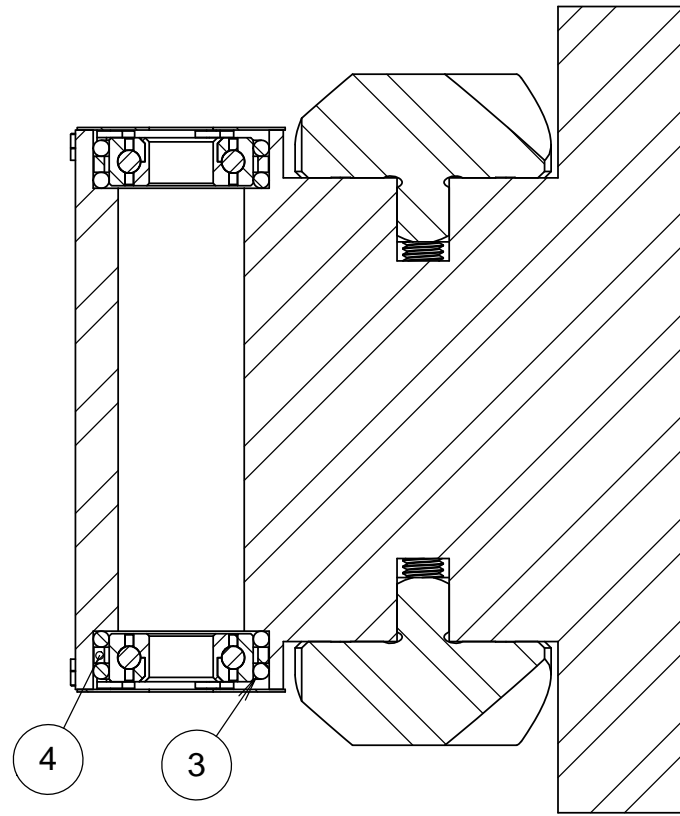
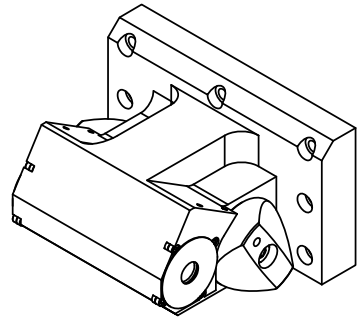
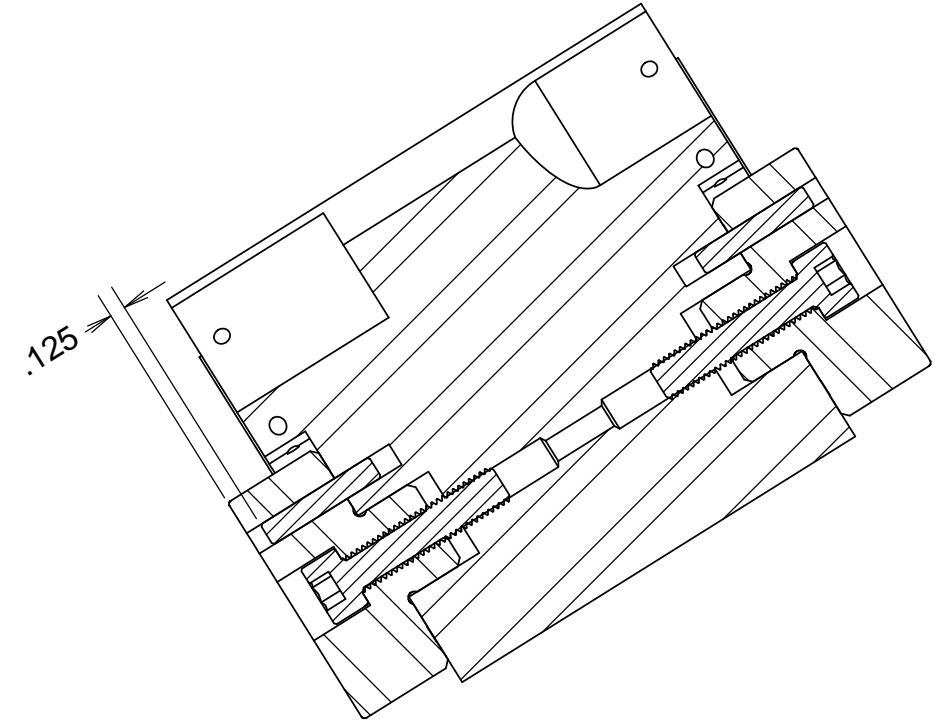


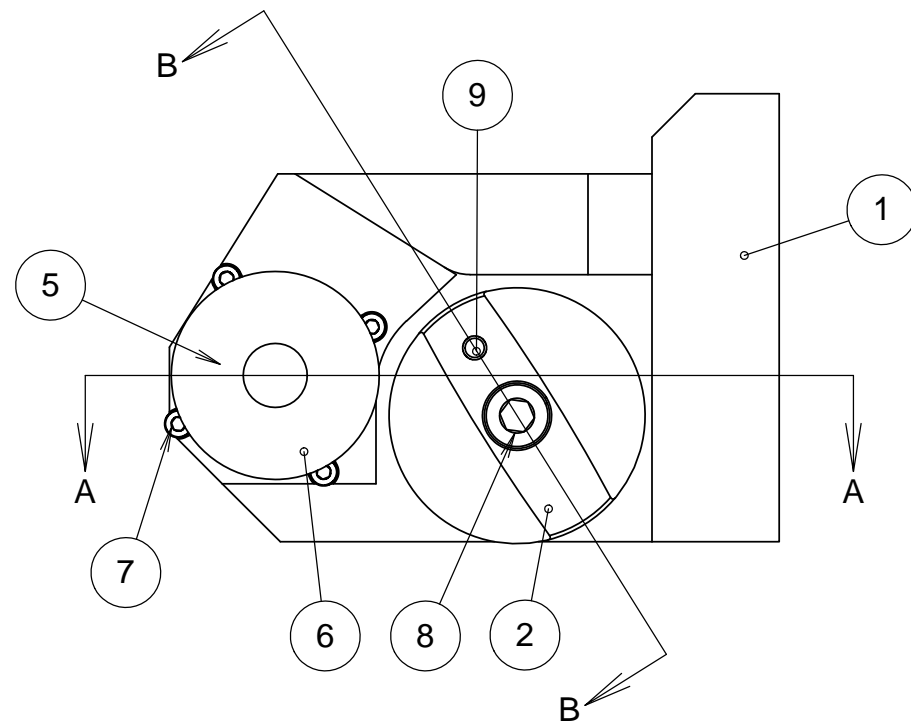
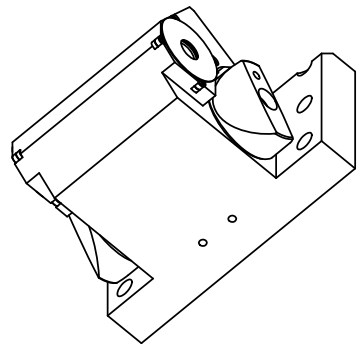
REVISIONS				
REV	DATE	DRW'N	CHCK'D	DESCRIPTION
A	7JUL16	CR	--	INITIAL RELEASE



SECTION A-A



SECTION B-B



ITEM NO.	PartNo	DESCRIPTION	QTY.
1	872-LM1006	HINGE BEARING HOUSING	1
2	BAL-TEC 2000 CS CANOE SPHERE	CANOE SPHERE	2
3	MCMaster CARR 2418t171	O-RING, 1.125	4
4	872-LM-1101	O-RING SPACER	2
5	MCMaster CARR 6384K490BALL BEARING	BALL BEARING, .5 INCH ID, 1.125 OD, .375 WIDE	2
6	872-LM1102	BEARING RETAINER TAB	8
7	MC SHCS M3X10MM 91290A115	SHCS M3X10MM	8
8	SHCS M8X1.25X35 MC 91290A438	SHCS M8X1.25X35	2
9	MC 99010A157 DOWEL PIN .1875	DOWEL PIN .1875 INCH, OVERSIZE .001	2
10	872-LM2254	HINGE WASHER	2

NOTES

- INTERFERENCE FIT BETWEEN ITEMS 9 AND 1, PRESS ITEM 9 TO BE .06 TO .25 RECESSED, SHOWN AS .125 IN SECTION VIEW BB
- ITEM 8 TO BE TORQUED TO YIELD
- APPLY LOCTITE TO ALL THREADED FASTENERS UPON FINAL ASSEMBLY

UNLESS OTHERWISE NOTED DIMENSIONS ARE IN INCHES & TOLERANCES ARE AS FOLLOWS

X.X: ±0.1000" X.XX: ±0.0100"  
 X.XXX: ±0.0050" X.XXXX: ±0.0001"  
 ANGLES: ±0.5° FINISH: 125 MICRO INCHES  
 BREAK ALL SHARP EDGES  
 & CORNERS .002" MAX

PARTS LIST



DRAWN <b>CRATLIFF</b>	7/7/16	PROJECT CODE K1DM3	DWG NO 872-LM1100
CHECKED --	--	TITLE <b>COMPLIANT HINGE ASSEMBLY</b>	A 1/1
DESIGNED <b>RATLIFF</b>	--	NEXT ASSY 872-LM4600	
ENGINEER <b>RATLIFF</b>	--		