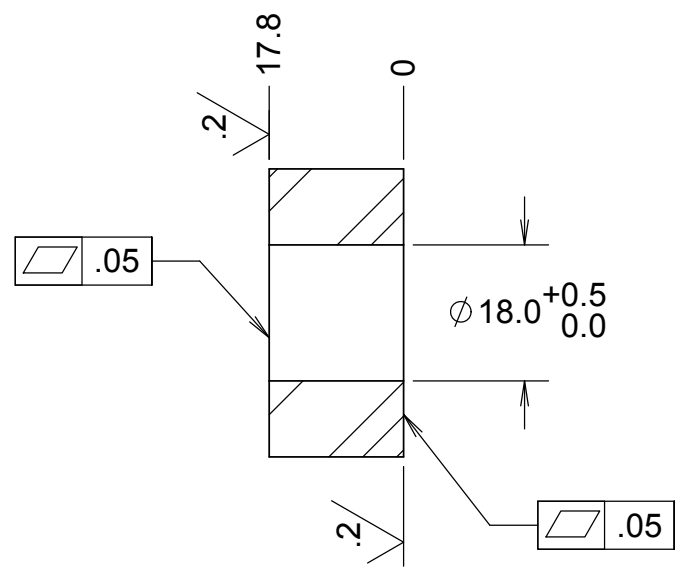
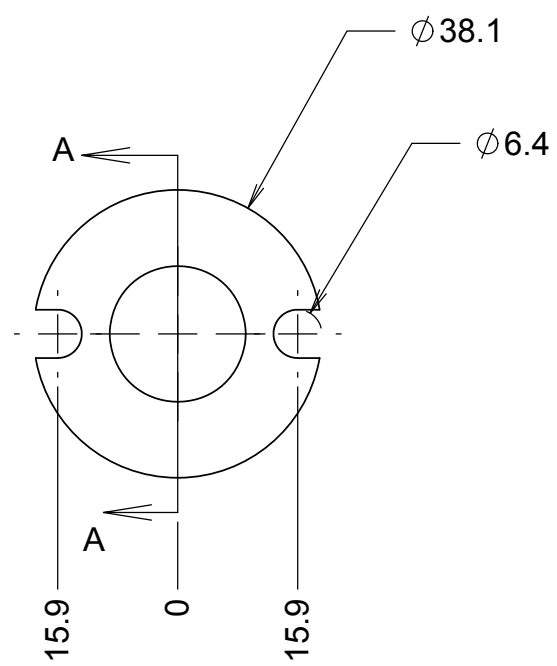
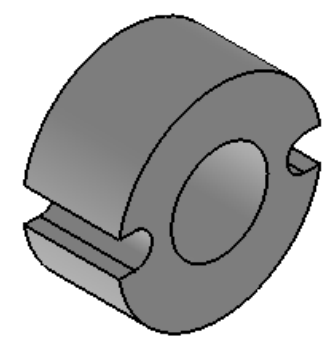


REVISIONS				
DRWN	DATE	CHK'D	REV	DESCRIPTION
CR	2/2/17		A	PRELIMINARY RELEASE



SECTION A-A  
SCALE 1 : 1

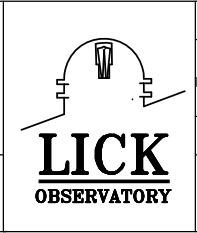


**NOTES**

1. STAINLESS STEEL 300 SERIES OR 17-4PH

UNLESS OTHERWISE NOTED DIMENSIONS ARE IN MILLIMETERS & TOLERANCES ARE AS FOLLOWS:  
 X.X: ±0.10 mm X.XX: ±0.01 mm  
 ANGLES: ±0.5° FINISH: 3 MICRONS (µm)  
 BREAK ALL SHARP EDGES & CORNERS .25mm MAX

MATERIAL	FINISH
SEE NOTE 1	--



DRAWN	C. RATLIFF
CHECKED	J. WARD
DESIGNED	C. RATLIFF
ENGINEER	2/2/2017
SW DOCUMENT FILE	872-LM1013.SLDPRT
QUANTITY	2

KECK 1 DEPLOYABLE TERTIARY MIRROR	
STOW & DEPLOY SYSTEMS	
TITLE COMPRESSION PUCK SPACER	
PROJECT CODE K1D3FD	DWG NO 872-LM1013
NEXT ASSY 872-LM1000	REV A

