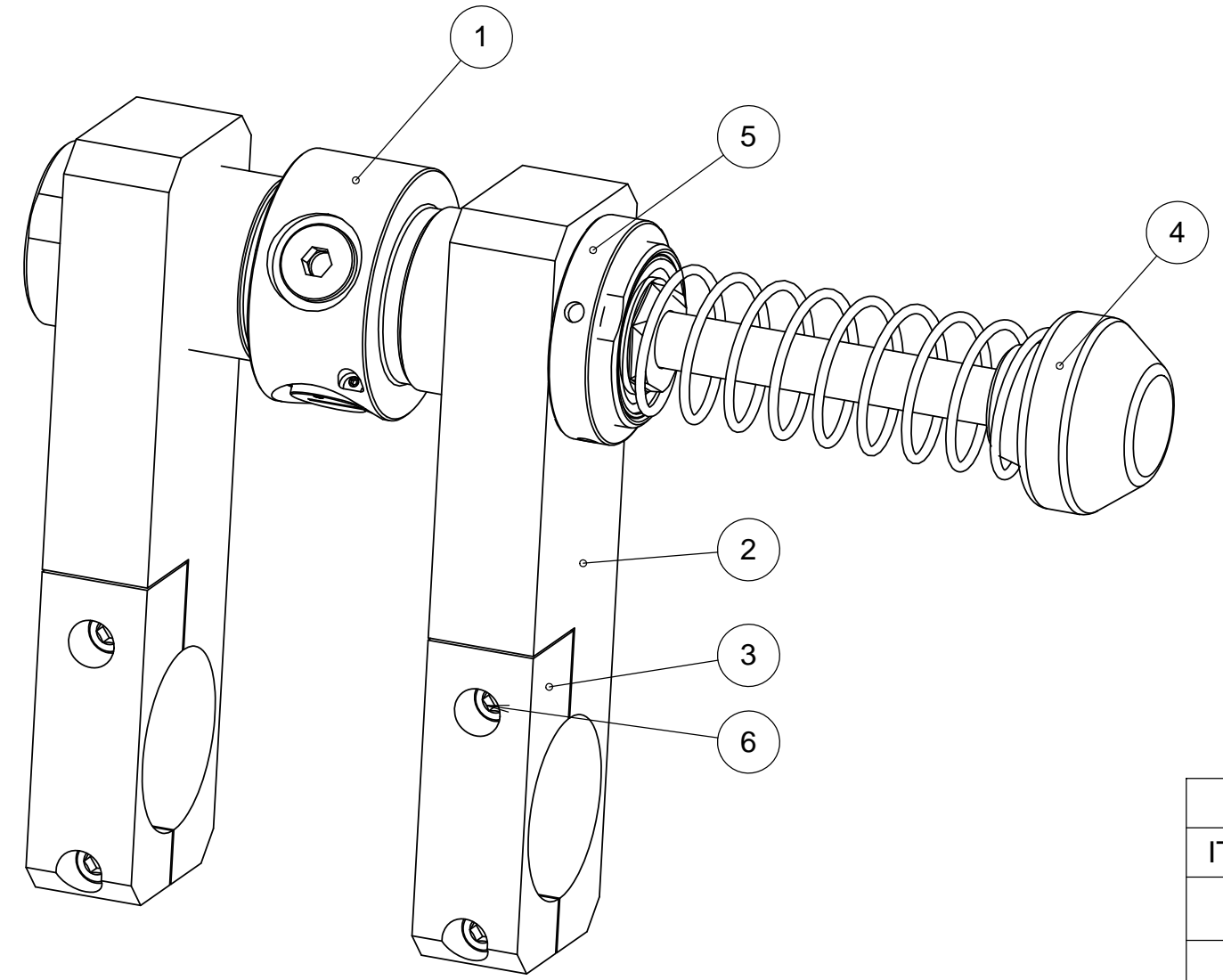



REVISIONS				
REV	DATE	DRWN	CHCK'D	DESCRIPTION
A	18JAN2017	CR	GFC	INITIAL RELEASE



BOM Table			
ITEM NO.	PartNo	DESCRIPTION	QTY.
1	ENIDINE LROEMXT 1.5MX3	ADJUSTABLE SHOCK ABSORBER	1
2	872-LM1010	SHOCK ABSORBER MOUNT	2
3	872-LM1011	SHOCK MOUNT CLAMP	2
4	ENIDINE UC2940	URETHANE STRIKER CAP	1
5	ENIDINE F82940049	SHOCK ABSORBER LOCK RING	1
6	MC 93705A846	SHCS M6x25MM	4

UNLESS OTHERWISE NOTED DIMENSIONS ARE IN INCHES & TOLERANCES ARE AS FOLLOWS X.X: ±0.1000" X.XX: ±0.0100" X.XXX: ±0.0050" X.XXXX: ±0.0001" ANGLES: ±0.5° FINISH: 125 MICRO INCHES BREAK ALL SHARP EDGES & CORNERS .002" MAX			DRAWN: CRATLIFF CHECKED: -- DESIGNED: RATLIFF ENGINEER: RATLIFF	1/18/17 -- -- --	KECK 1 DEPLOYABLE TERTIARY MIRROR STOW AND DEPLOY SYSTEM TITLE: SHOCK ABSORBER ASSEMBLY
PARTS LIST	SW DOCUMENT FILE		PROJECT CODE: K1DM3 NEXT ASSY: NEXT ASS'Y	DWG NO: 872-LM1012	A 1/1