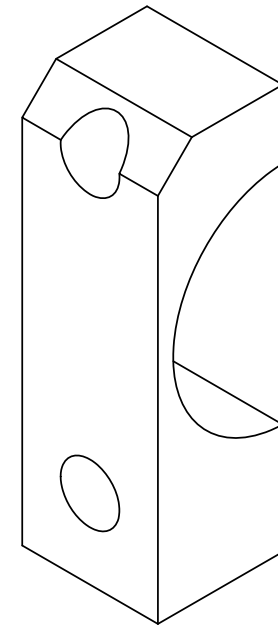
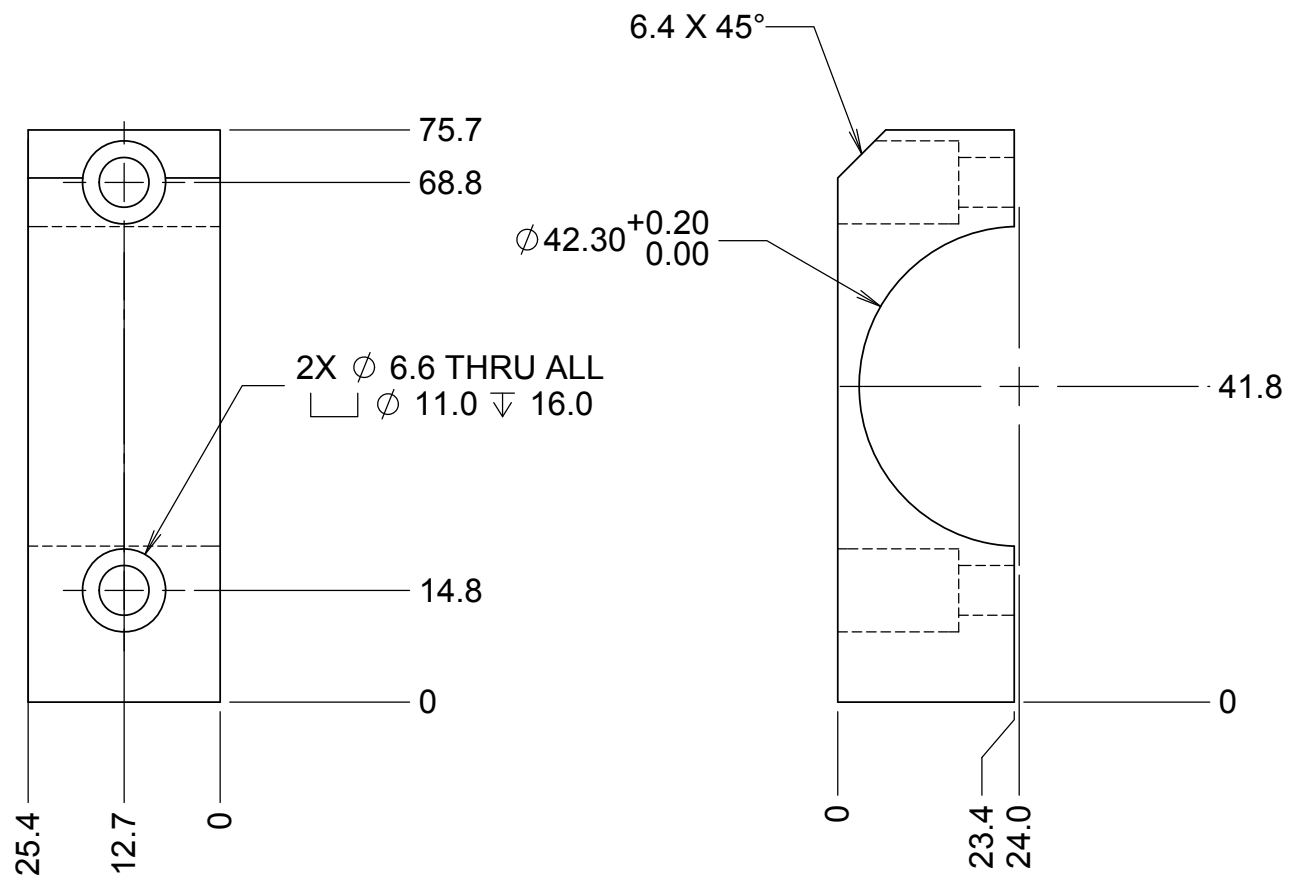


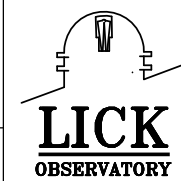
REVISIONS				
DRWN	DATE	CHK'D	REV	DESCRIPTION
CR	1/17/17	GFC	A	PRELIMINARY RELEASE



NOTES

1. 6061 T6 ALUMINUM

UNLESS OTHERWISE NOTED DIMENSIONS ARE IN MILLIMETERS & TOLERANCES ARE AS FOLLOWS:
 X.X: ±0.10 mm X.XX: ±0.01 mm
 ANGLES: ±0.5° FINISH: 3 MICRONS (µm)
 BREAK ALL SHARP EDGES & CORNERS .25mm MAX



DRAWN C. RATLIFF CHECKED J. WARD DESIGNED C. RATLIFF ENGINEER	1/17/17	KECK 1 DEPLOYABLE TERTIARY MIRROR STOW & DEPLOY SYSTEMS SHOCK ABSORBER CLAMP	PROJECT CODE K1D3FD NEXT ASSY 872-LM1012	DWG NO 872-LM1011	REV A 1/1
MATERIAL SEE NOTE 1	FINISH --	SW DOCUMENT FILE 872-LM1011.SLDPRT	QUANTITY 4	TITLE SHOCK ABSORBER CLAMP	