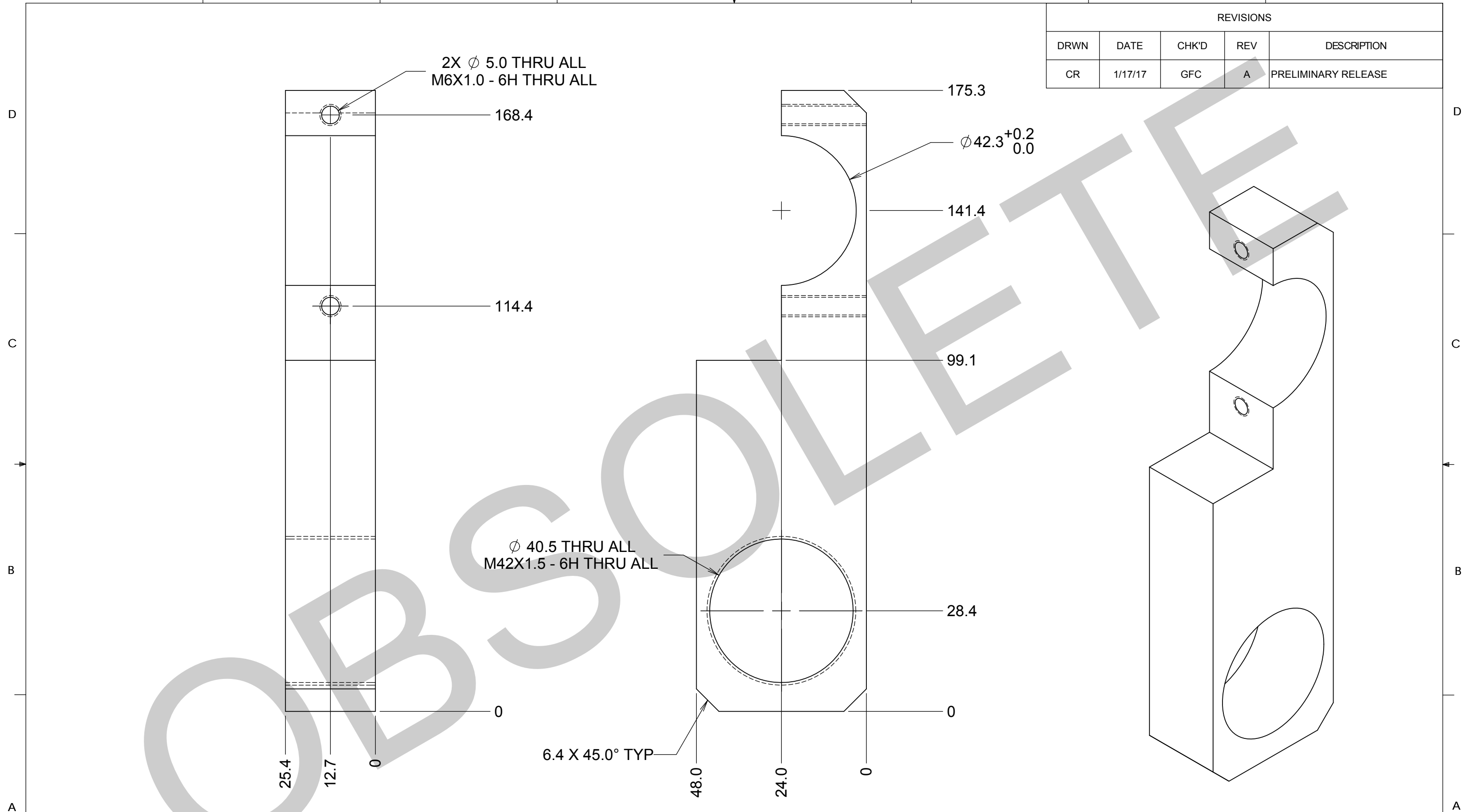


8 7 6 5 4 3 2 1

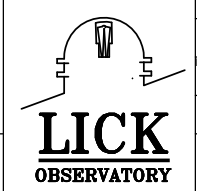
REVISIONS				
DRWN	DATE	CHK'D	REV	DESCRIPTION
CR	1/17/17	GFC	A	PRELIMINARY RELEASE



NOTES

- 1. 6061 T6 ALUMINUM

UNLESS OTHERWISE NOTED DIMENSIONS ARE IN MILLIMETERS & TOLERANCES ARE AS FOLLOWS:
 X.X: ± 0.10 mm X.XX: ± 0.01 mm
 ANGLES: $\pm 0.5^\circ$ FINISH: 3 MICRONS (μ m)
 BREAK ALL SHARP EDGES & CORNERS .25mm MAX



DRAWN C. RATLIFF CHECKED J. WARD DESIGNED C. RATLIFF ENGINEER	1/17/17	KECK 1 DEPLOYABLE TERTIARY MIRROR STOW & DEPLOY SYSTEMS SHOCK ABSORBER CLAMP
SW DOCUMENT FILE 872-LM1010.SLDPRT	QUANTITY 4	PROJECT CODE K1D3FD NEXT ASSY 872-LM1012
DWG NO 872-LM1010		REV A 1

8 7 6 5 4 3 2 1