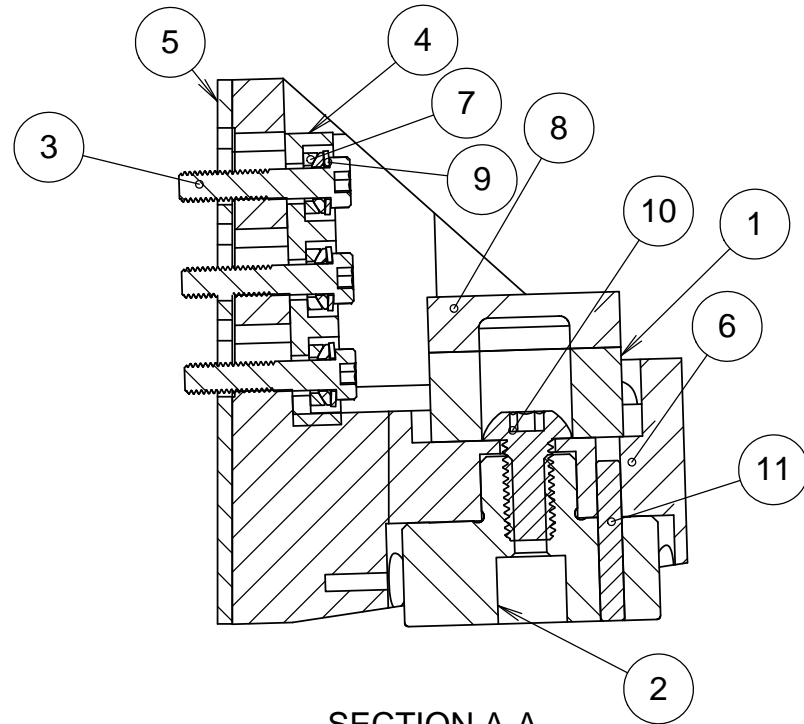
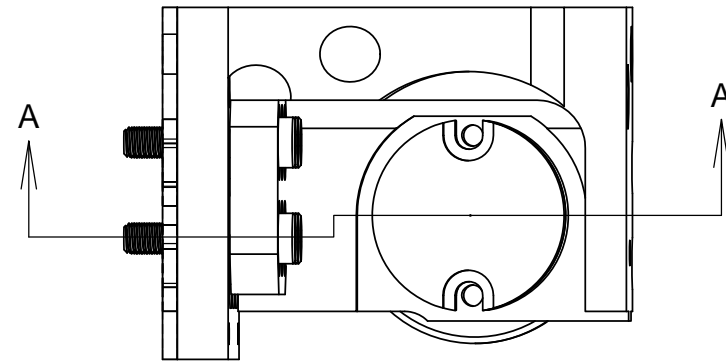
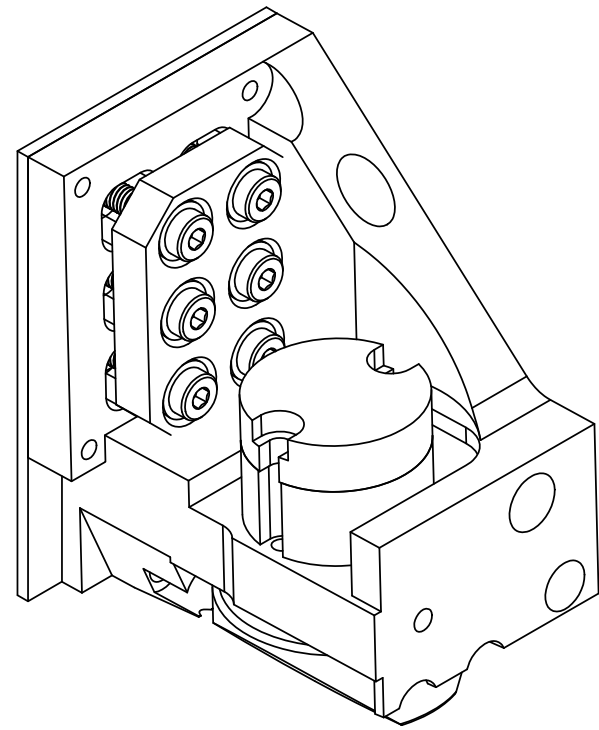


REVISIONS				
REV	DATE	DRW'N	CHCK'D	DESCRIPTION
A	25OCT16	CR	--	INITIAL RELEASE
B	14DEC18	CR		CORRECTED BOM



SECTION A-A

ITEM NO.	PartNo	DESCRIPTION	QTY.
1	872-LM-1013	PUCK SPACER	1
2	BAL-TEC 2000 CS CANOE SPHERE	CANOE SPHERE	1
3	mc shcs lowhead m6x30 93070A151	SHCS M6X30 LOWHEAD	6
4	872-LM1003	WASHER PLATE, CANOE SPHERE MOUNT	1
5	872-LM1004	SHIM, CANOE SPHERE MOUNT	1
6	872-LM1005	CANOE SPHERE MOUNT A	1
7	mc_spherical_washer_set_M6_94007A030	SPHERICAL WASHER SET, M6	6
8	872-LM-1002	COMPRESSION PUCK, SST 440 C	1
9	mc belleville washer .255id 9712K640	SPRING, BELLEVILLE	6
10	MC BHCS m10X20_94500a247	SBHCS M10X20	1
11	MC 99010A161	DOWEL PIN, 3/16, .001" OVERSIZE	1

**NOTES**

- ITEM 4 TO BE MACHINED ON SHIM FACE PRIOR TO FINAL SWINGARM ASSEMBLY, SHOULD BE PARALLEL TO ATTACHING NODE FACE
- SHIM THICKNESS WILL BE DETERMINED DURING FIT, WILL BE UNIFORM THICKNESS TO ALLOW THE USE OF COMMONLY AVAILABLE SHIM STOCK

UNLESS OTHERWISE NOTED DIMENSIONS ARE IN INCHES & TOLERANCES ARE AS FOLLOWS  
 X.X: ±0.1000" X.XX: ±0.0100"  
 X.XXX: ±0.0050" X.XXXX: ±0.0001"  
 ANGLES: ±0.5° FINISH: 125 MICRO INCHES  
 BREAK ALL SHARP EDGES & CORNERS .002" MAX

MATERIAL FINISH  
**PARTS LIST**



DRW'N	CRATLIFF	10/25/16	PROJECT CODE	K1DM3	DWG NO	872-LM1008
CHECKED	--	--	TITLE	CANOE SPHERE MOUNT B		
DESIGNED	RATLIFF	--	NEXT ASSY	872-LM4700		
ENGINEER	RATLIFF	--				
SW DOCUMENT FILE						

B  
1/1