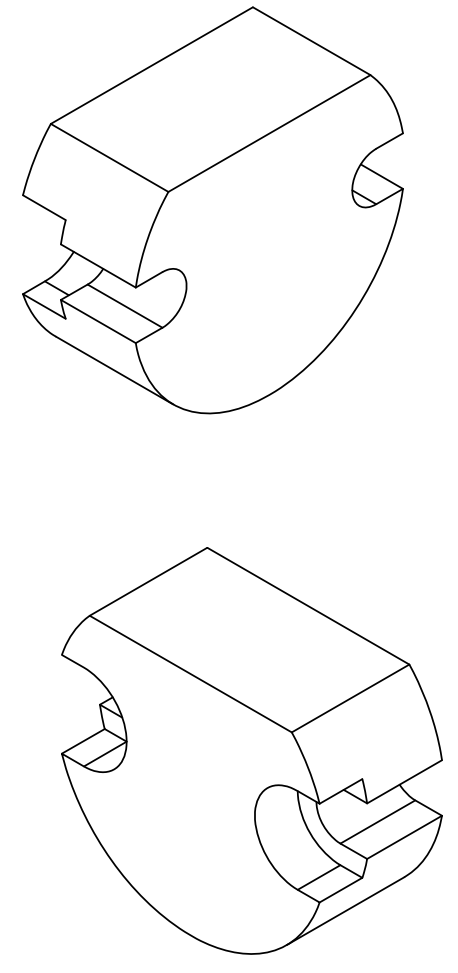
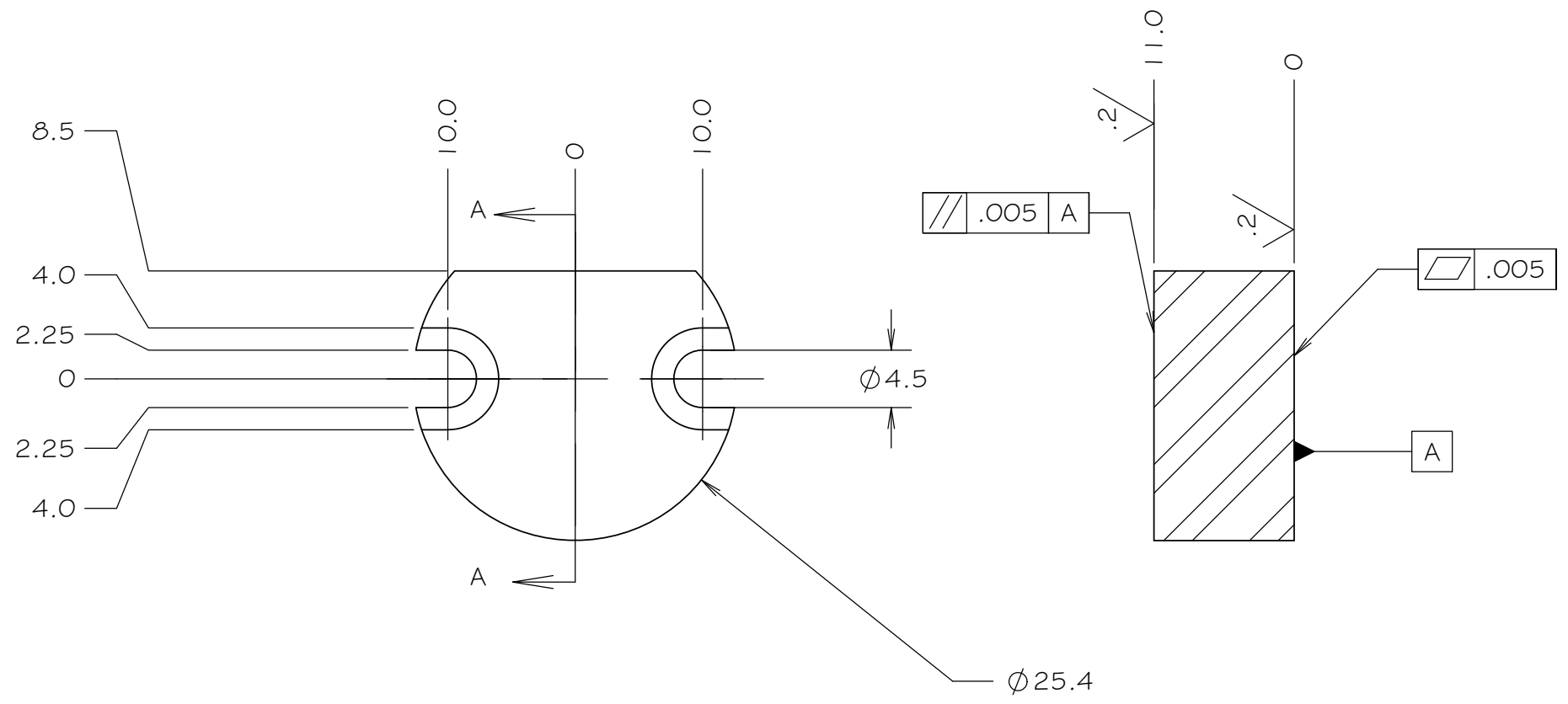


| REVISIONS | | | | |
|-----------|---------|-------|-----|---------------------|
| DRWN | DATE | CHK'D | REV | DESCRIPTION |
| CR | 6/22/16 | | A | PRELIMINARY RELEASE |

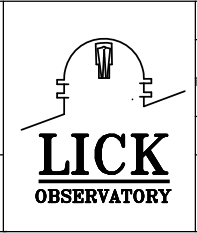


NOTES

1. 440 C STAINLESS STEEL HARDENED TO HRC 57 MINIMUM

UNLESS OTHERWISE NOTED DIMENSIONS ARE IN MILLIMETERS * TOLERANCES ARE AS FOLLOWS:
 X.X: ±0.10mm X.XX: ±0.01mm
 ANGLES: ±0.5° FINISH: 3 MICRONS (µm)
 BREAK ALL SHARP EDGES * CORNERS .25mm MAX

| | |
|------------|--------|
| MATERIAL | FINISH |
| SEE NOTE 1 | -- |



| | | | |
|---|---------------|---|----------------------|
| DRAWN C. RATLIFF | | KECK I DEPLOYABLE TERTIARY MIRROR | |
| CHECKED J. WARD | | STOW #DEPLOY SYSTEMS | |
| DESIGNED C. RATLIFF | 6/23/16 | TITLE COMPRESSION PUCK, 440C STAINLESS | |
| ENGINEER | | PROJECT CODE K1D3FD | DWG NO 872-LM1007 |
| SW DOCUMENT FILE 872-LM1007_440C.COM | QUANTITY 2 | NEXT ASSY 872-LM1000/4600 | REV A |
| | | | 1/1 |

872-LM1007
Compression Puck