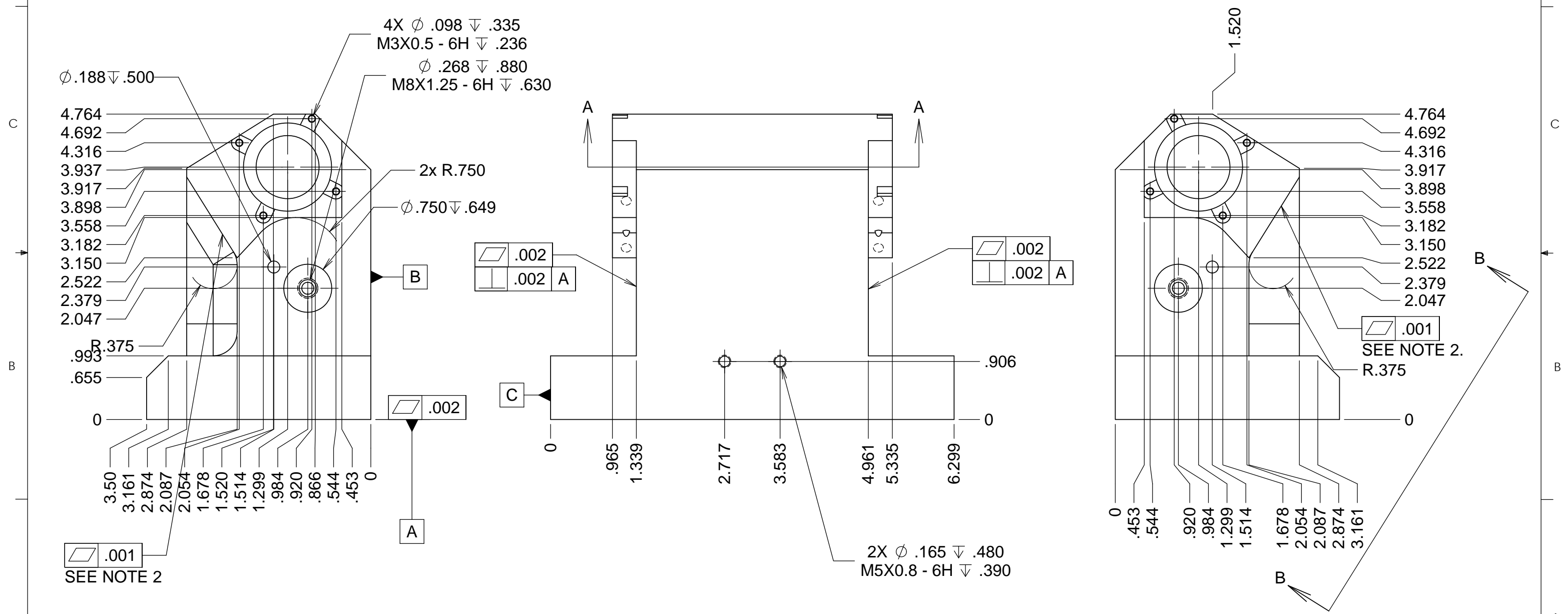


REVISIONS				
DRWN	DATE	CHK'D	REV	DESCRIPTION
CR	5/16/16		A	PRELIMINARY RELEASE
CR	11/14/16		B	ADDED DIMENSIONS, SHT2 C2

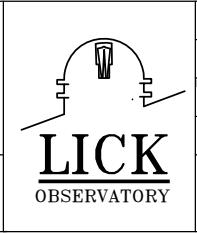


- NOTES**
- 300 SERIES STAINLESS STEEL (303 OK)
  - FLATNESS TOLERANCE CAN BE LOOSER AS LONG AS PUCK MAKES STIFF CONTACT

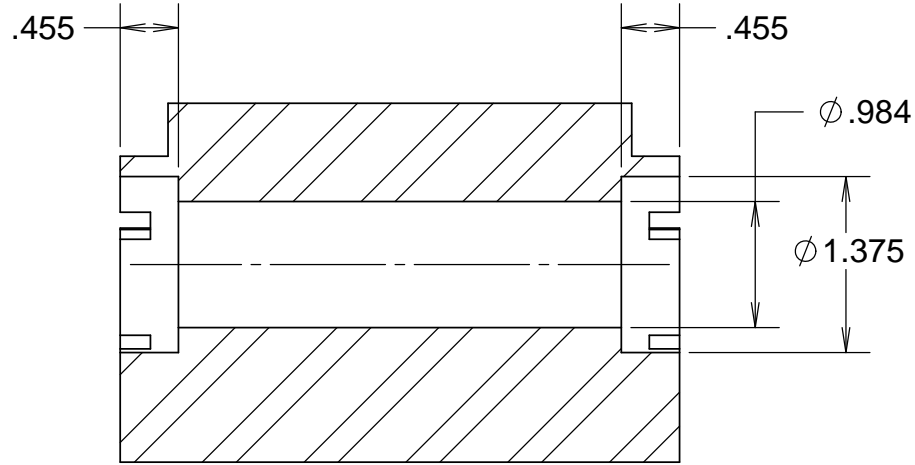
UNLESS OTHERWISE NOTED DIMENSIONS ARE IN INCHES & TOLERANCES ARE AS FOLLOWS

X.X:  $\pm 0.1000''$  X.XX:  $\pm 0.0100''$   
X.XXX:  $\pm 0.0050''$  X.XXXX:  $\pm 0.0001''$   
ANGLES:  $\pm 0.5^\circ$  FINISH: 125 MICRO INCHES  
BREAK ALL SHARP EDGES & CORNERS .002" MAX

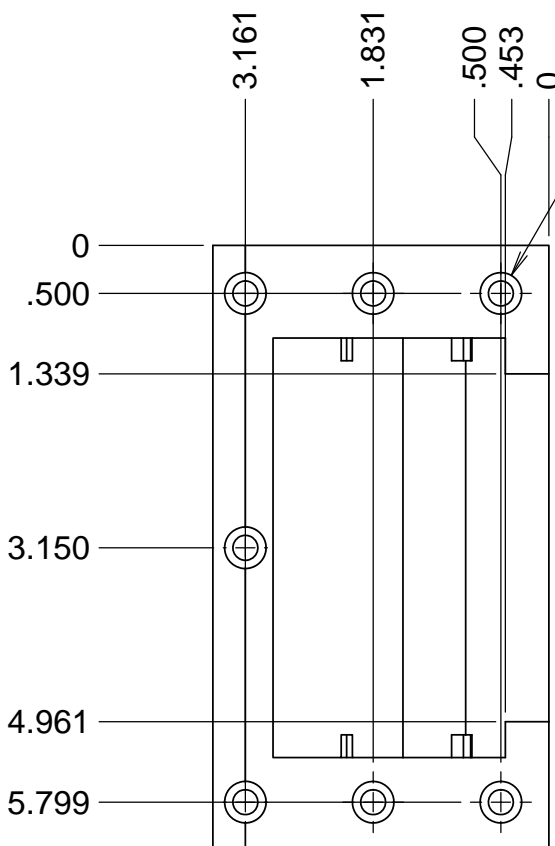
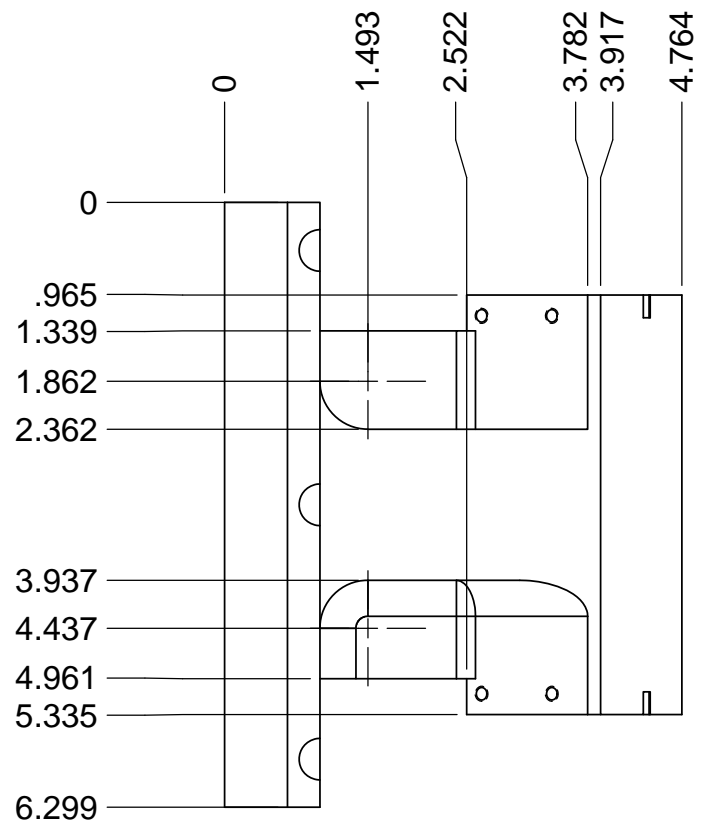
MATERIAL: SEE NOTE 1  
FINISH: --



DRAWN C. RATLIFF		<b>KECK 1 DEPLOYABLE TERTIARY MIRROR</b>	
CHECKED J. WARD		<b>STOW &amp; DEPLOY SYSTEMS</b>	
DESIGNED C. RATLIFF	5/13/16	<b>HINGE BEARING HOUSING</b>	
ENGINEER		PROJECT CODE K1D3FD	DWG NO 872-LM1006
SW DOCUMENT FILE 872-LM1006.SLDPRT	QUANTITY 1	NEXT ASSY 872-LM1000	REV B 1/2

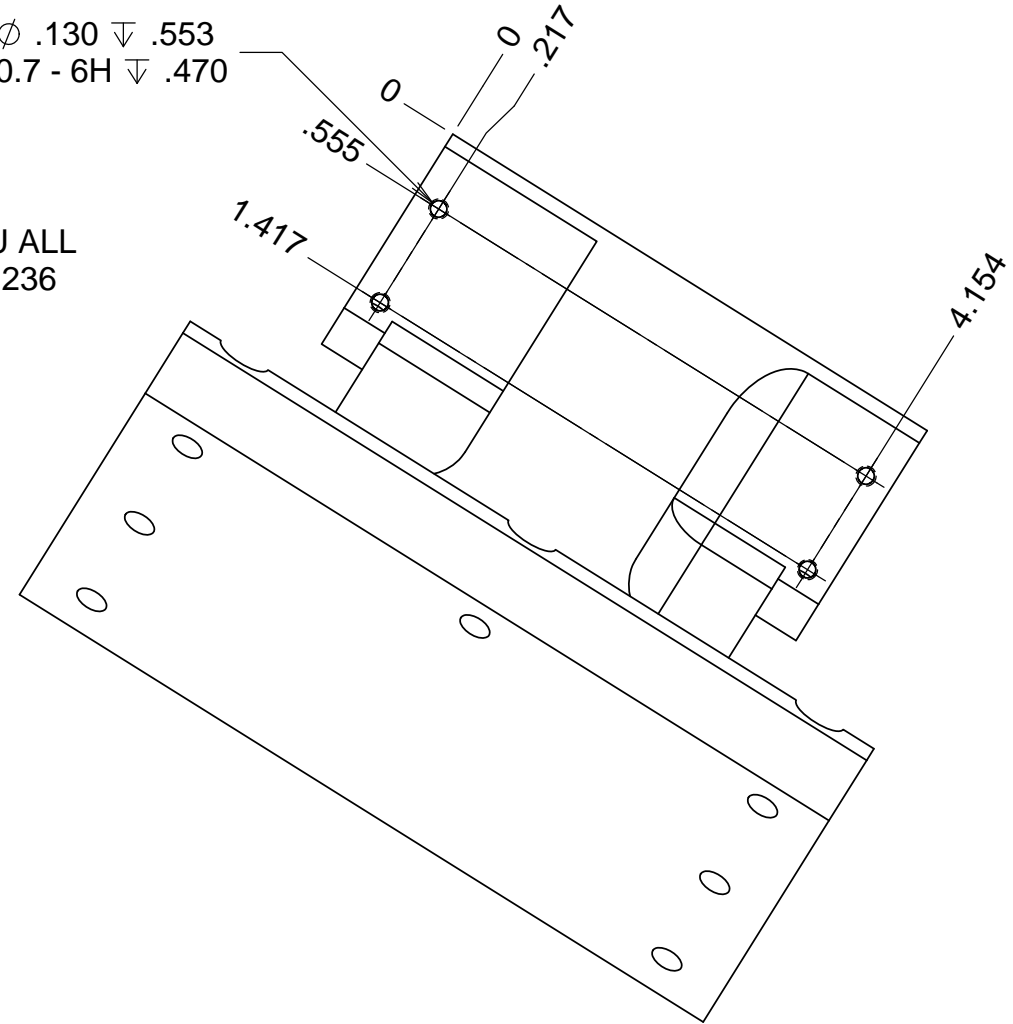


SECTION A-A  
SCALE 1 : 1.5



7X  $\phi$  .260 THRU ALL  
 $\square$   $\phi$  .433  $\nabla$  .236

4X  $\phi$  .130  $\nabla$  .553  
 M4X0.7 - 6H  $\nabla$  .470



VIEW B-B  
SCALE 1 : 1.5

KECK 1 DEPLOYABLE TERTIARY MIRROR	
STOW & DEPLOY SYSTEMS	
TITLE HINGE BEARING HOUSING	
PROJECT CODE K1D3FD	DWG NO 872-LM1006
NEXT ASSY 872-LM1000	B 2/2