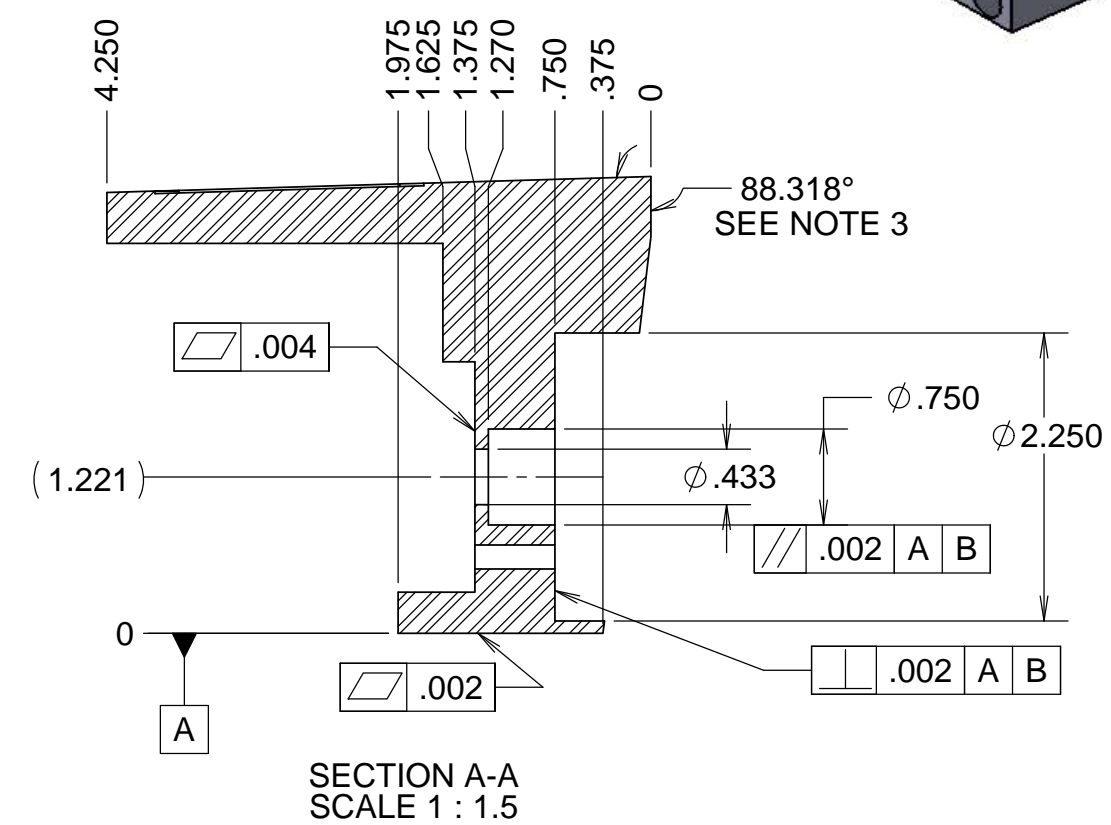
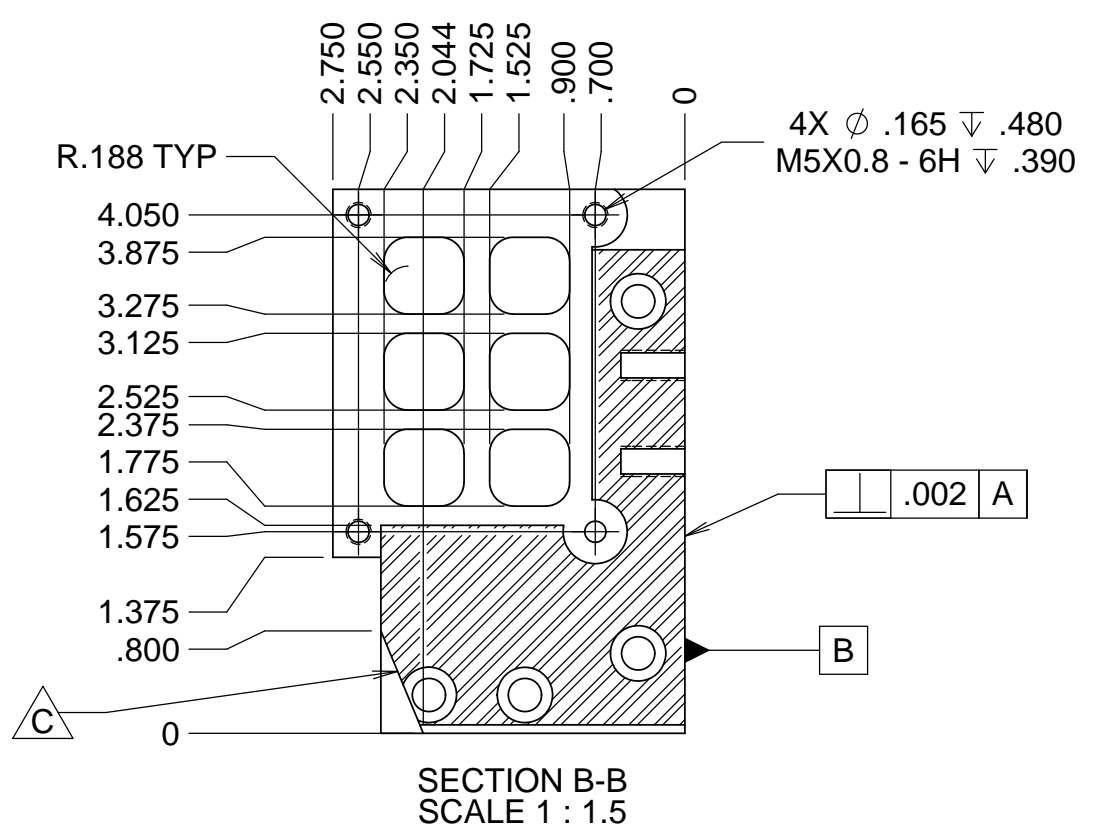
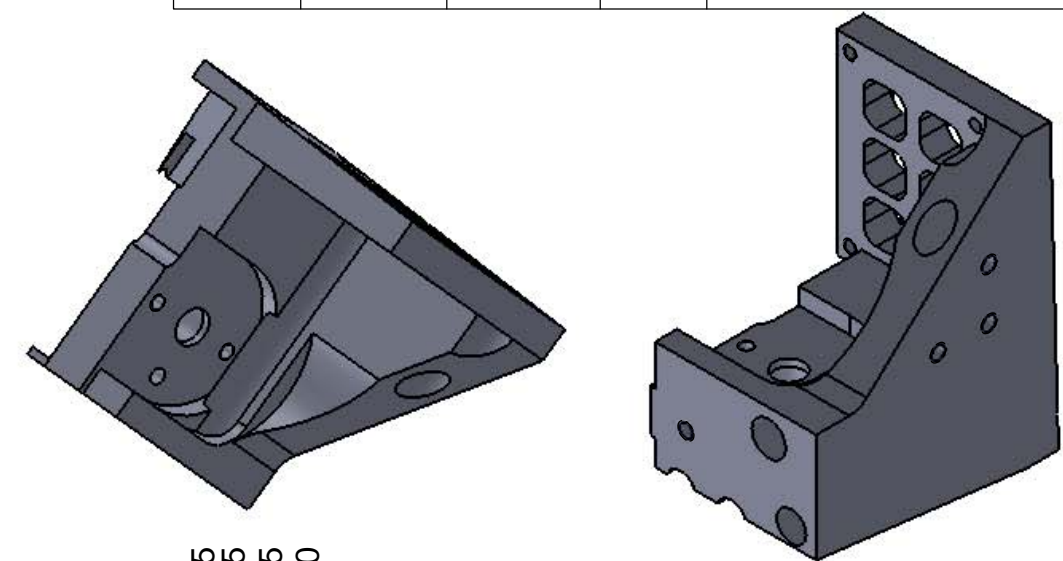
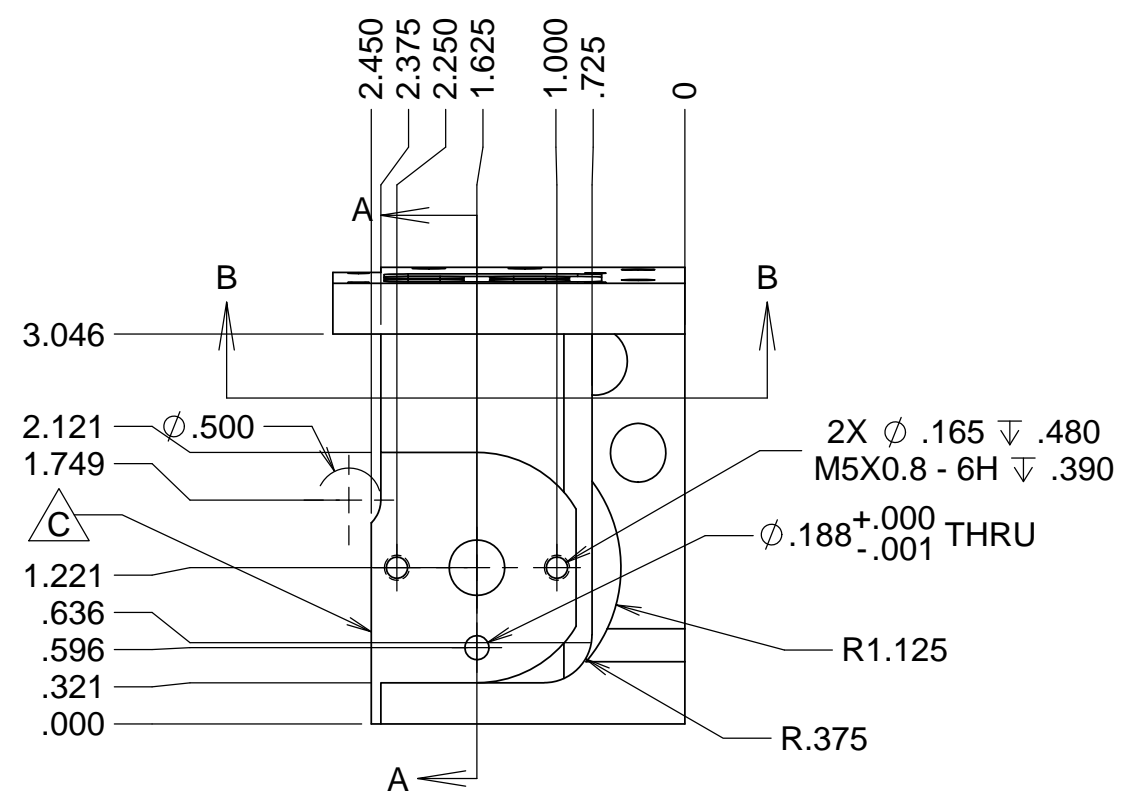


REVISIONS				
DRWN	DATE	CHK'D	REV	DESCRIPTION
CR	5/5/16		C	PRELIMINARY RELEASE
CR	10/26/16		B	REMOVED MATERIAL FOR MACHINING
CR	2/2/17		C	REMOVED MATERIAL FOR CLAMP CLEARANCE



NOTES

- 300 SERIES STAINLESS STEEL (303 OK)
- PART CAN BE MADE OF SINGLE PIECE OF STOCK OR WELDED AND THEN MACHINED
- 88.32 FACE SHOULD BE MACHINED AFTER INITIAL FIT ON SWINGARM. ERROR IN POSITION OF NODE FACE WILL BE COMPENSATED FOR HERE. FINAL FLATNESS TOLERANCE SHOULD BE 0.002 INCHES OR LESS

UNLESS OTHERWISE NOTED DIMENSIONS ARE IN INCHES & TOLERANCES ARE AS FOLLOWS X.X: ±0.1000" X.XX: ±0.0100" X.XXX: ±0.0050" X.XXXX: ±0.0001" ANGLES: ±0.5° FINISH: 125 MICRO INCHES BREAK ALL SHARP EDGES & CORNERS .002" MAX			DRAWN C. RATLIFF CHECKED J. WARD DESIGNED C. RATLIFF ENGINEER	PROJECT CODE K1D3FD NEXT ASSY 872-LM1000	DWG NO 872-LM1005	REV C 1/2
MATERIAL SEE NOTE 1	FINISH --		SW DOCUMENT FILE 872-LM1005.SLDPRT	QUANTITY 1	TITLE CANOE SPHERE MOUNT B	

D
C
B
A

D
C
B
A

8 7 6 5 4 3 2 1

8 7 6 5 4 3 2 1

