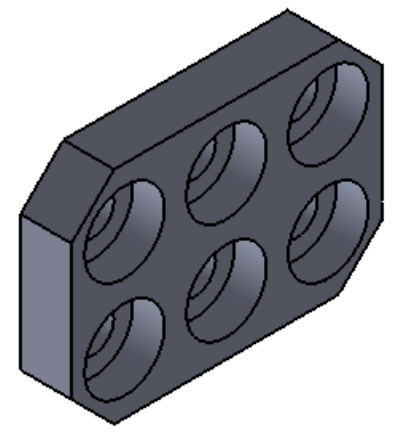
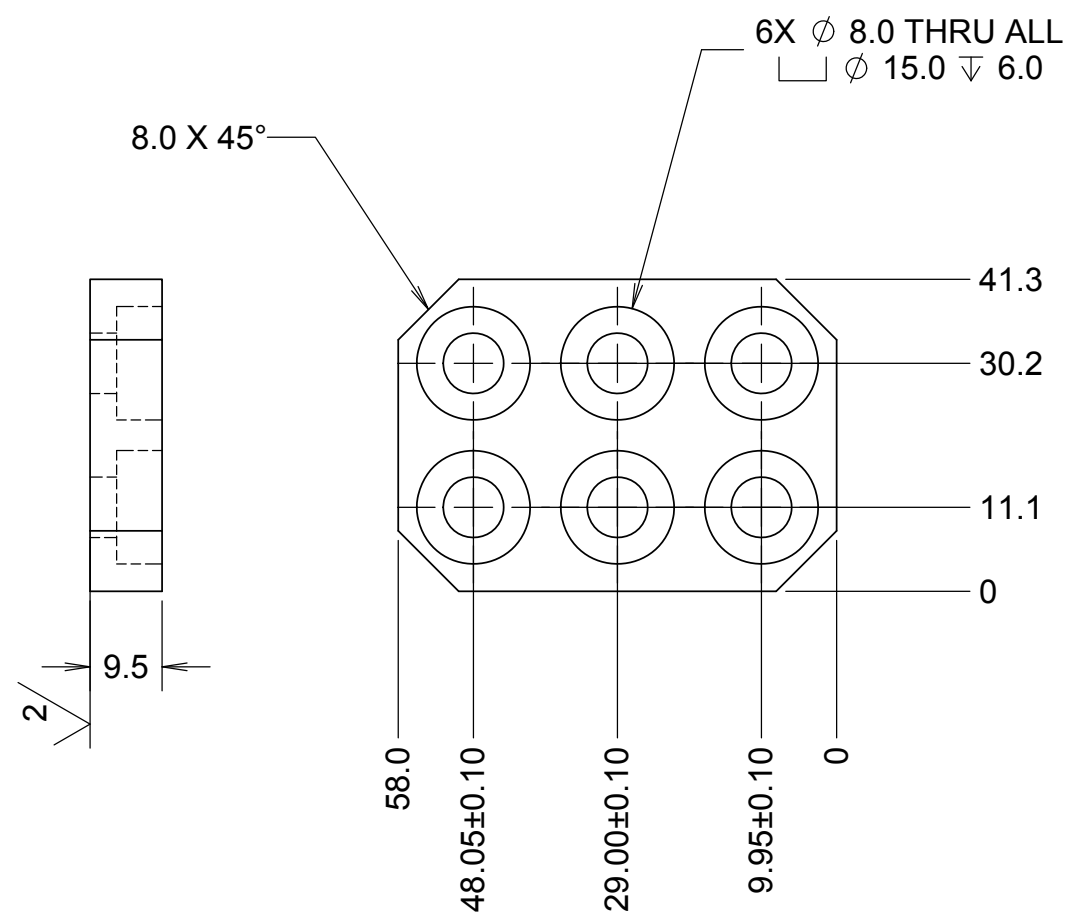


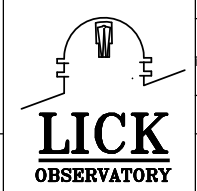
REVISIONS				
DRWN	DATE	CHK'D	REV	DESCRIPTION
CR	5/3/16		A	PRELIMINARY RELEASE



NOTES

1. 300 SERIES STAINLESS STEEL

UNLESS OTHERWISE NOTED DIMENSIONS ARE IN MILLIMETERS & TOLERANCES ARE AS FOLLOWS:
X.X: \pm 0.10 mm X.XX: \pm 0.01 mm
ANGLES: \pm 0.5° FINISH: 3 MICRONS (μ m)
BREAK ALL SHARP EDGES & CORNERS .25mm MAX



DRAWN C. RATLIFF		KECK 1 DEPLOYABLE TERTIARY MIRROR	
CHECKED J. WARD		STOW & DEPLOY SYSTEMS	
DESIGNED C. RATLIFF	5/3/16	TITLE WASHER PLATE, CANOE SPHERE MOUNT	
ENGINEER		PROJECT CODE K1D3FD	DWG NO 872-LM1003
SW DOCUMENT FILE 872-LM1003.SLDPRT	QUANTITY 2	NEXT ASSY 872-LM1000	REV A 1/1