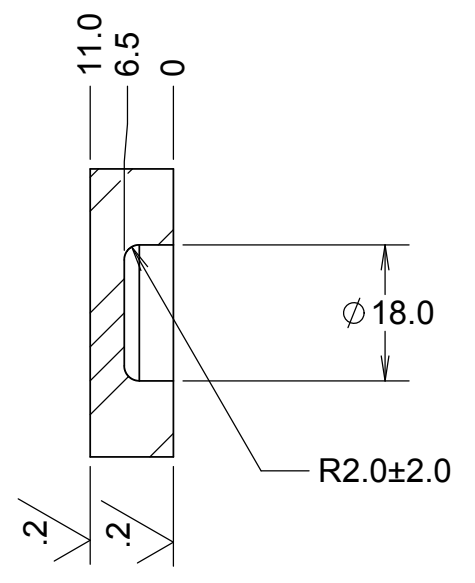
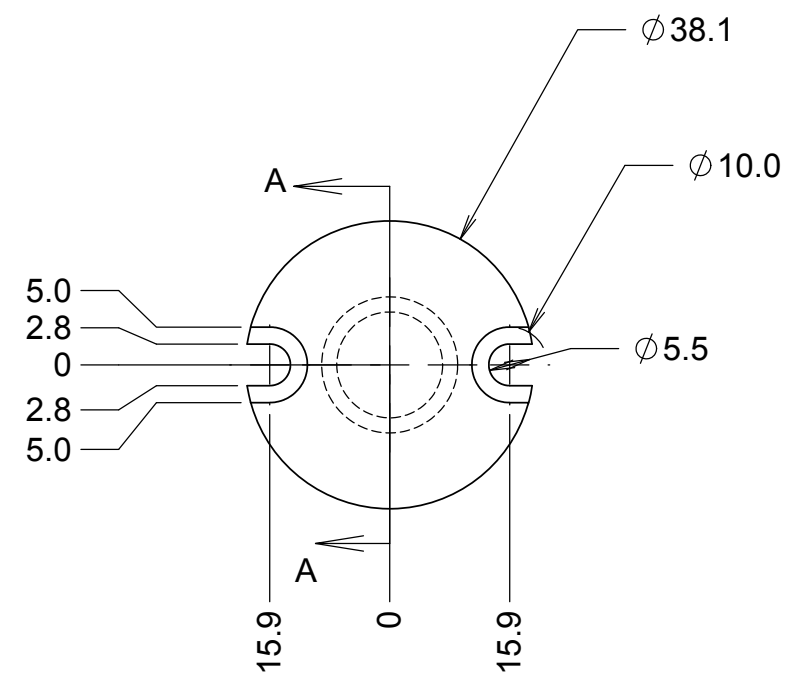
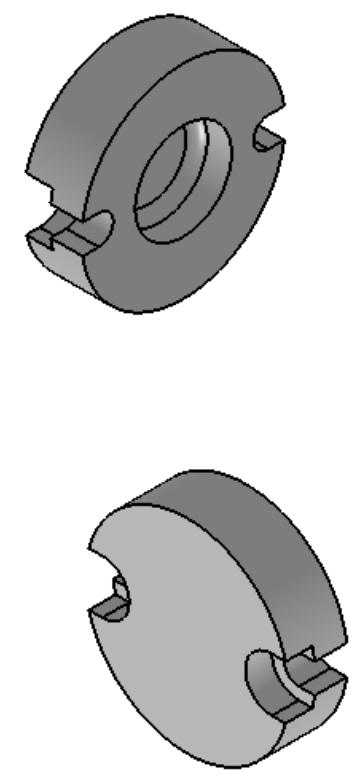


REVISIONS				
DRWN	DATE	CHK'D	REV	DESCRIPTION
CR	5/3/16		A	PRELIMINARY RELEASE



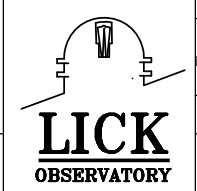
SECTION A-A
SCALE 1 : 1



NOTES

- 440 C STAINLESS STEEL HARDENED TO HRC 57 MINIMUM

UNLESS OTHERWISE NOTED DIMENSIONS ARE IN MILLIMETERS & TOLERANCES ARE AS FOLLOWS:
 X.X: ±0.10 mm X.XX: ±0.01 mm
 ANGLES: ±0.5° FINISH: 3 MICRONS (µm)
 BREAK ALL SHARP EDGES & CORNERS .25mm MAX



DRAWN C. RATLIFF		KECK 1 DEPLOYABLE TERTIARY MIRROR	
CHECKED J. WARD		STOW & DEPLOY SYSTEMS	
DESIGNED C. RATLIFF	4/26/16	TITLE COMPRESSION PUCK, 440C STAINLESS	
ENGINEER		PROJECT CODE K1D3FD	DWG NO 872-LM1002
MATERIAL SEE NOTE 1	FINISH --	SW DOCUMENT FILE 872-LM1002.SLDPRT	QUANTITY 2
		NEXT ASSY 872-LM1000	REV A 1