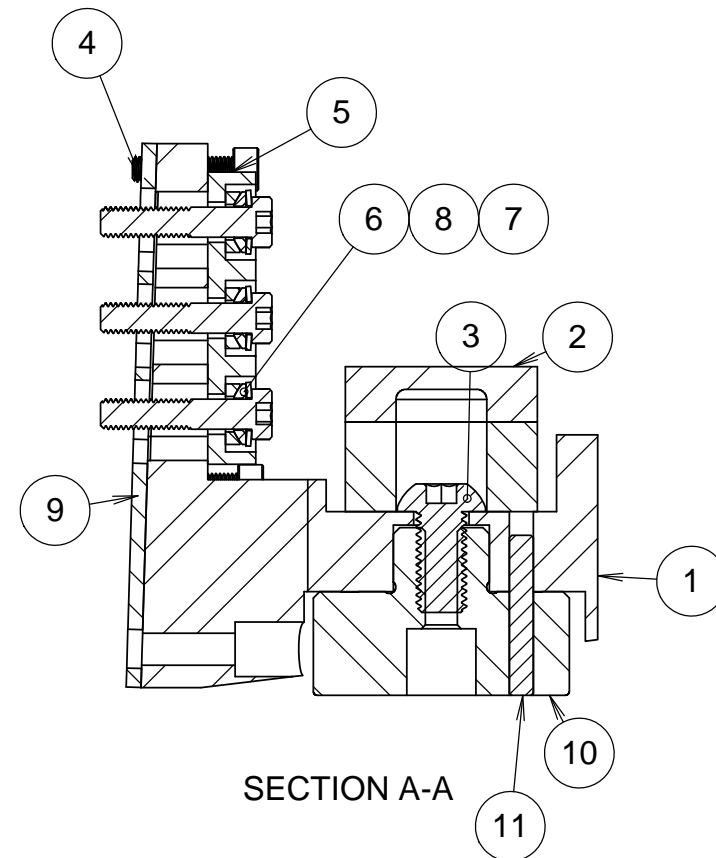
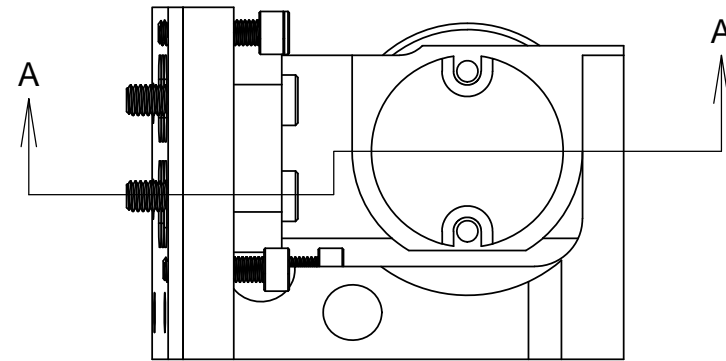
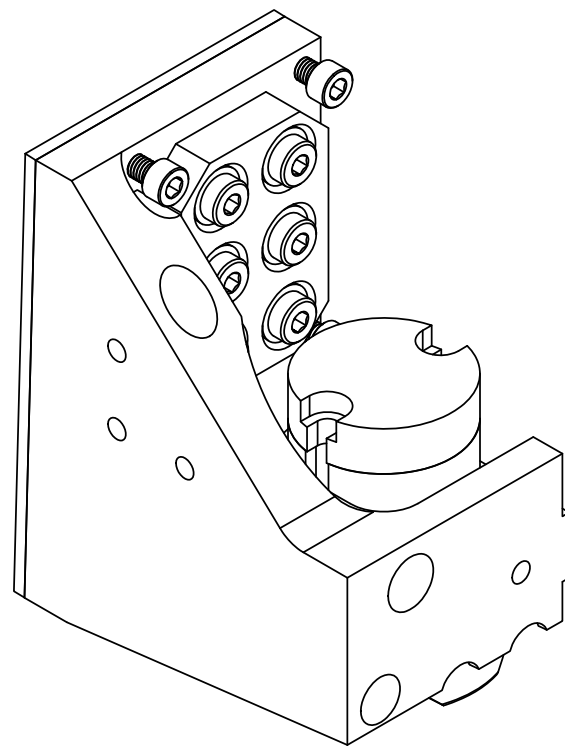


REVISIONS				
REV	DATE	DRWN	CHCK'D	DESCRIPTION
A	3MAY16	CR	--	INITIAL RELEASE



SECTION A-A

ITEM NO.	PartNo	DESCRIPTION	QTY.
1	872-LM1001	CANOE SPHERE MOUNT A	1
2	872-LM-1002	COMPRESSION PUCK, SST 440 C	1
3	MC BHCS m10X20_94500a247	SBHCS M10X20	1
4	872-LM1004	SHIM, CANOE SPHERE MOUNT	1
5	872-LM1003	WASHER PLATE, CANOE SPHERE MOUNT	1
6	mc_spherical_washer_set_M6_94007A030	SPHERICAL WASHER SET, M6	6
7	mc shcs lowhead m6x30 93070A151	SHCS M6X30 LOWHEAD	6
8	mc belleville washer .255id 9712K640	SPRING, BELLEVILLE	6
9	MC 91290A242	SHCS M5X20	4
10	BAL-TEC CANOE SPHERE 2000-CS	CANOE SPHERE, 2000-CS	1
11	MC 99010A161	DOWEL PIN, 3/16, .001" OVERSIZE	1
12	872-LM-1013	PUCK SPACER	1

NOTES

- ITEM 1 TO BE MACHINED ON SHIM FACE PRIOR TO FINAL SWINGARM ASSEMBLY, SHOULD BE PARALLEL TO ATTACHING NODE FACE
- SHIM THICKNESS WILL BE DETERMINED DURING FIT, WILL BE UNIFORM THICKNESS TO ALLOW THE USE OF COMMONLY AVAILABLE SHIM STOCK

UNLESS OTHERWISE NOTED DIMENSIONS ARE IN INCHES & TOLERANCES ARE AS FOLLOWS

X.X: ±0.1000" X.XX: ±0.0100"
 X.XXX: ±0.0050" X.XXXX: ±0.0001"
 ANGLES: ±0.5° FINISH: 125 MICRO INCHES
 BREAK ALL SHARP EDGES & CORNERS .002" MAX

MATERIAL FINISH
PARTS LIST



DRAWN	CRATLIFF	5/5/16	PROJECT CODE K1DM3	DWG NO 872-LM1000	TITLE CANOE SPHERE MOUNT A
CHECKED	--	--			
DESIGNED	RATLIFF	--	NEXT ASSY 872-LM4700		
ENGINEER	RATLIFF	--			
SW DOCUMENT FILE			A 1/1		