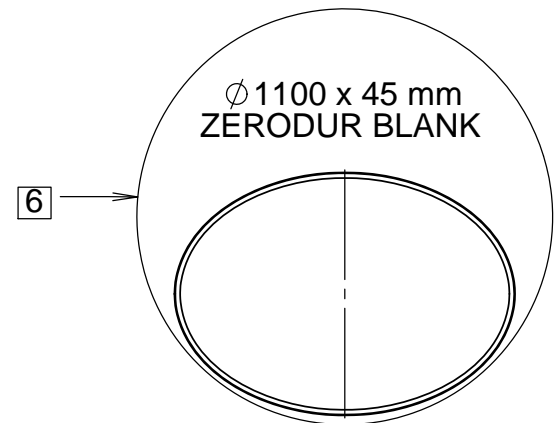
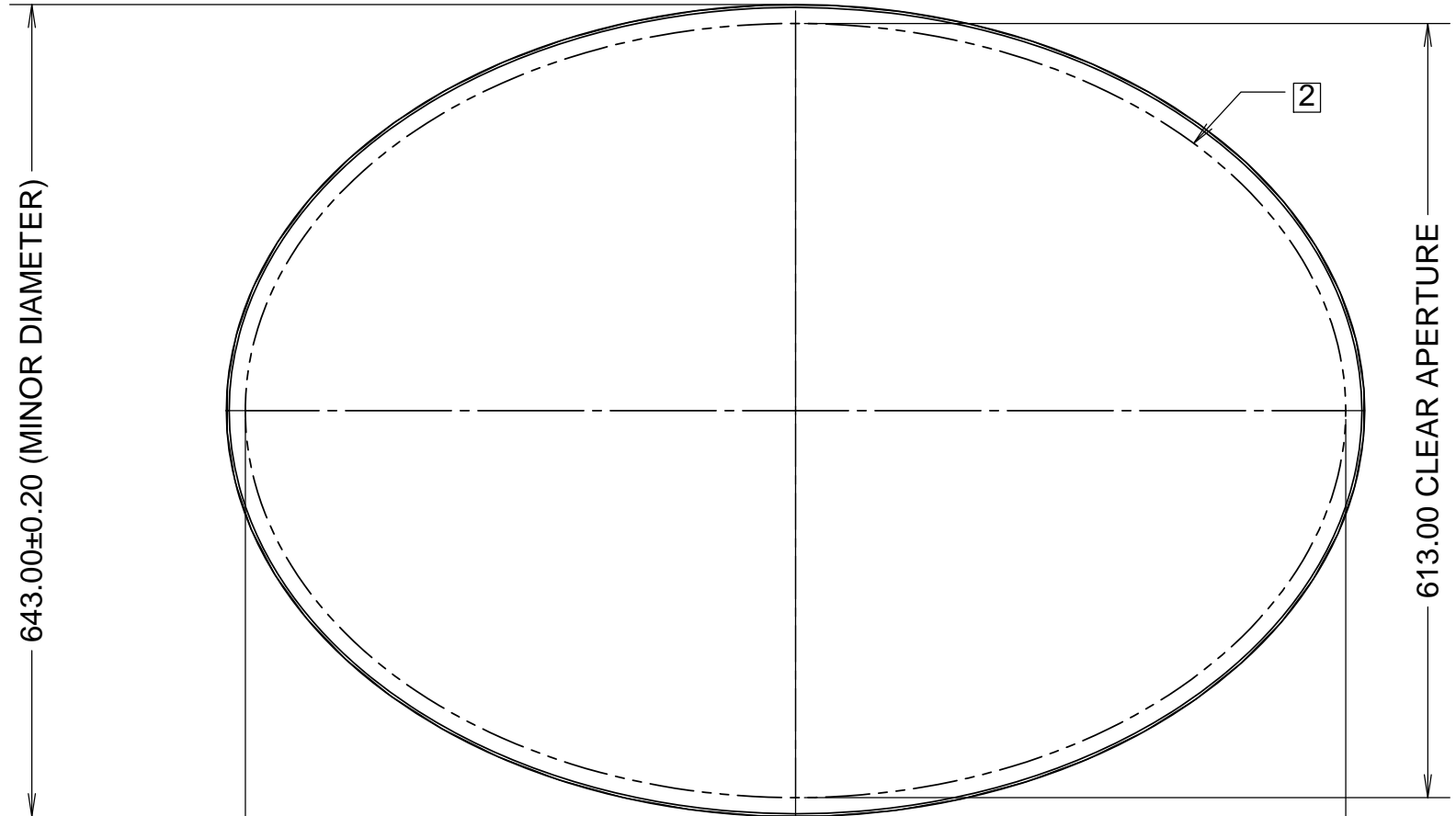


SURFACE SPECIFICATION					COATING SPECIFICATION					REVISIONS							
SURF	RADIUS	TOL	IRREG FR	CL APER	APPEARANCE/IMPERFECTIONS	TYPE	SPEC	REFL	INC ANG	CONE ANG	$\lambda(\mu\text{m})$	REV	DATE	DRWN	CHK'D	DESCRIPTION	
R1	PLANO	SEE NOTES FOR DETAILS											A	17DEC13	GFC	--	CONVERTED FROM KDM007E3
R2	PLANO						B	8MAR15	GFC	DH	THICKNESS CHANGE, WEDGE & DIMENSION TOLERANCES ADDED						
			C	8MAR15	GFC	DH	TMT BLANK MATERIAL SOURCE										
			D	9MAR15	GFC	DH	ADDED NOTE 5										
			E	14APR15	GFC	DH	CHANGE IN SHAPE, CA, & NOTE 2										
			F	16APR15	GFC	DH	CHANGED OVERALL DIMENSIONS FOR 10 MM MARGIN ON CA										
			G	23JUL15	GFC	--	CHANGED CA FOR EFFECTIVE 15 MM EDGE MARGIN										
			H	01SEP15	GFC	--	NOTE 2 CORRECTED TO 15 MM										
			J	13OCT15	GFC	--	ADJUSTMENTS TO CONFORM WITH ZYGO QUOTE OC-15-0119-A										
			K	25FEB16	GFC	--	ADDED AS-BUILT DIMENSION TABLE										
			L	12OCT16	GFC	--	P/N CHANGE										



AS-BUILT DIMENSIONS (MM)	
MAJOR DIA	901.21
MINOR DIA	643.09
THICKNESS	44.81
S1 CHAMFER	2.25 [7]
S2 CHAMFER	6.05 [7]

- NOTES**
- 1 R1 TO BE POLISHED FLAT, SCRATCH/DIG SURFACE QUALITY PER MIL-O-13830B (60-40)
  - 2 R1 SURFACE FINISH 1/5 FRINGE OVER CLEAR APERTURE (15 MM FROM EDGE) AT 6328 ANGSTROMS
  - 3 R1 SURFACE ROUGHNESS < 20 ANGSTROMS
  - 4 R2 GOUND FLAT, 400 GRIT FINISH OR BETTER
  - 5 ALL UNTOLERANCED SURFACES 400 GRIT OR FINER FINISH
  - 6 MATERIAL BLANK SHALL BE PROVIDED. CUT TO MINIMIZE WASTE. UNUSED MATERIAL TO BE RETURNED
  - 7 FACE WIDTH

UNLESS OTHERWISE SPECIFIED DIMENSIONS ARE IN MILLIMETERS MINIMUM PROTECTIVE BEVEL ON ALL EDGES AND CORNERS SCRATCH/DIG SURFACE QUALITY PER MIL-O-13830B	MATERIAL			DRAWN	CABAK	--	KECK 1 DEPLOYABLE TERIARY MIRROR				
	GLASS TYPE	ZERODUR		CHECKED	HILYARD	--	ZEMAX, OPTICS, & OPTICAL LAYOUTS				
	WEIGHT/VOLUME	51.23 KG, 20250.7 CC		DESIGNED	--	--	TITLE	M3 MIRROR			
	WEDGE TOL	30 ARC SEC MAX		ENGINEER	--	--	PROJECT CODE	872-LM4100			
PYRAMID TOL		ZEMAX FILE REFERENCE		COMMENTS		QUANTITY	DWG NO	872-LM0101	REV	L	1/1