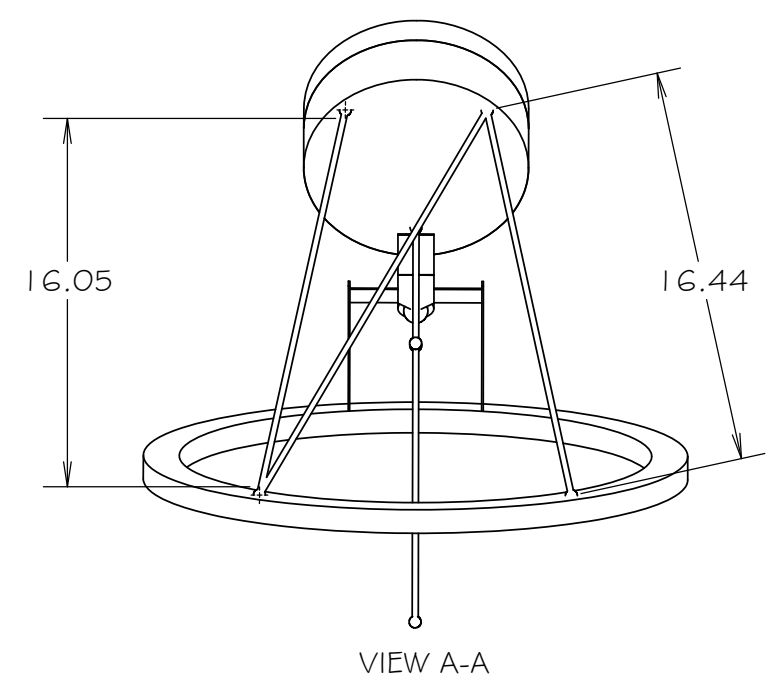
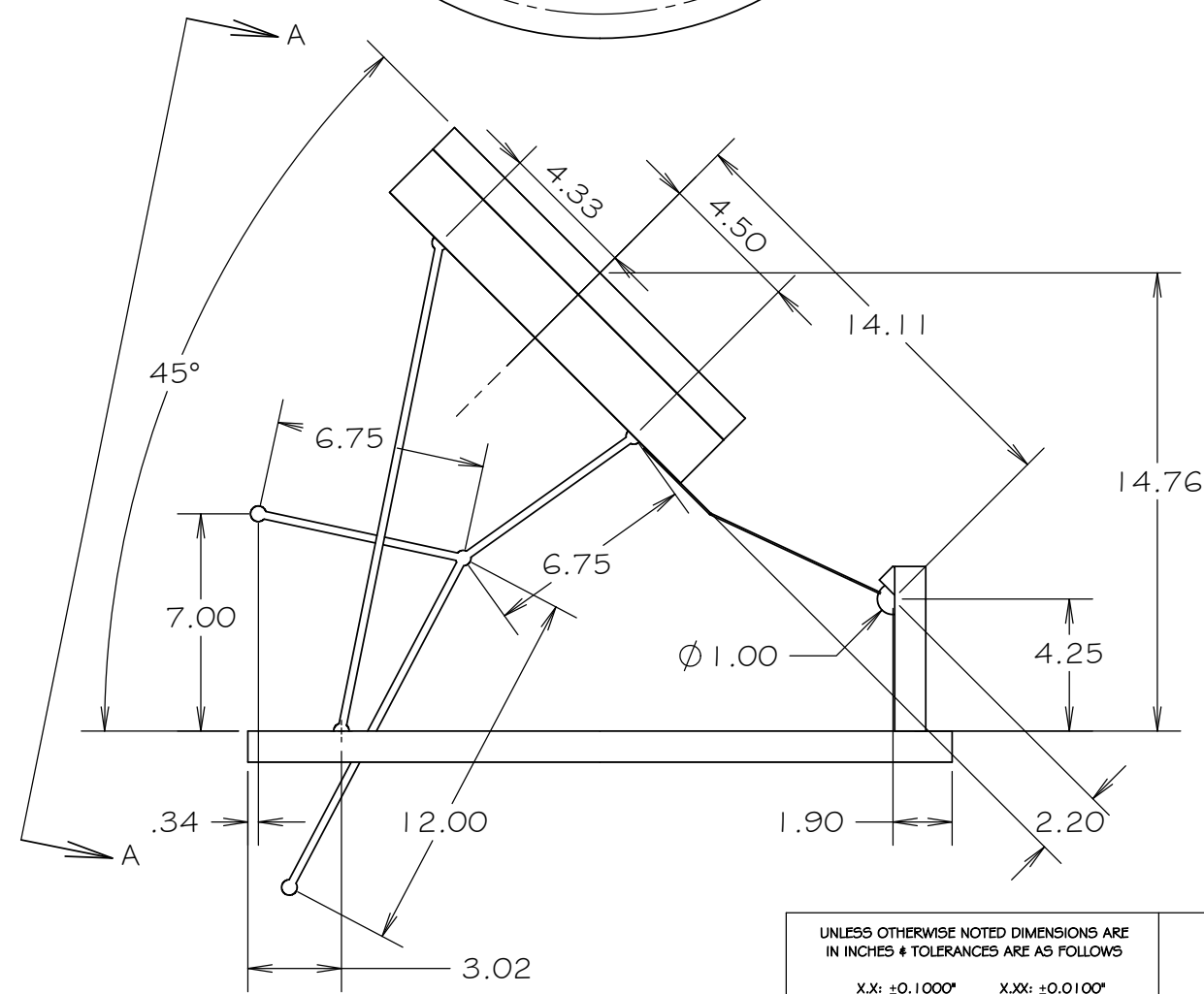
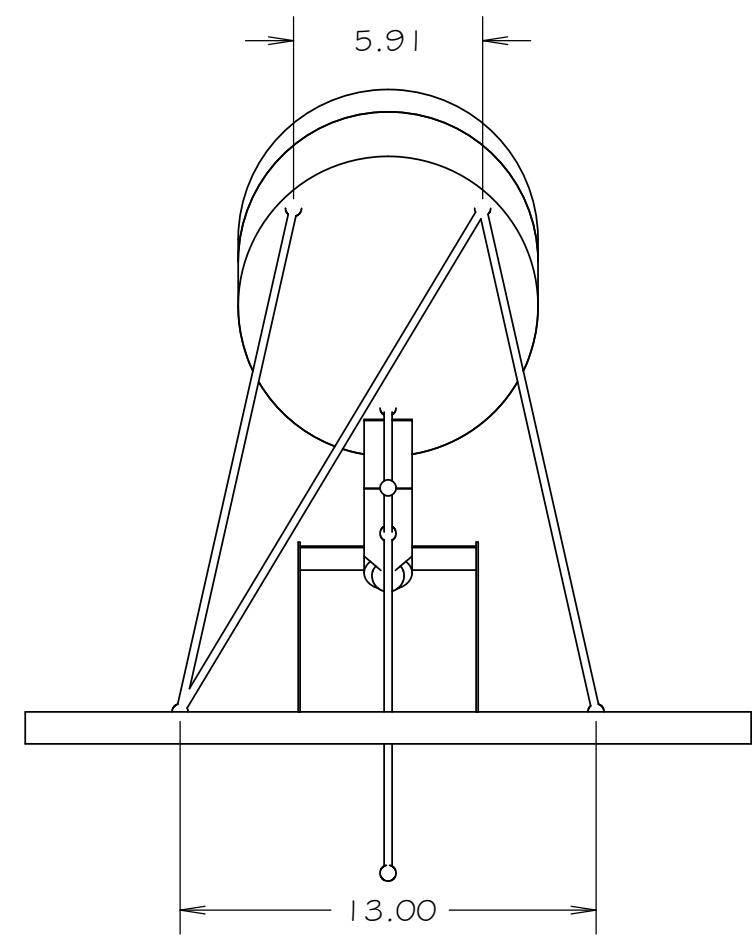
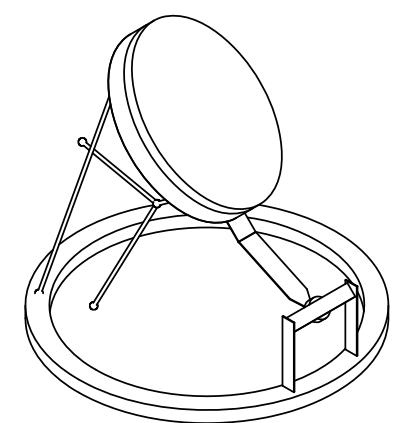
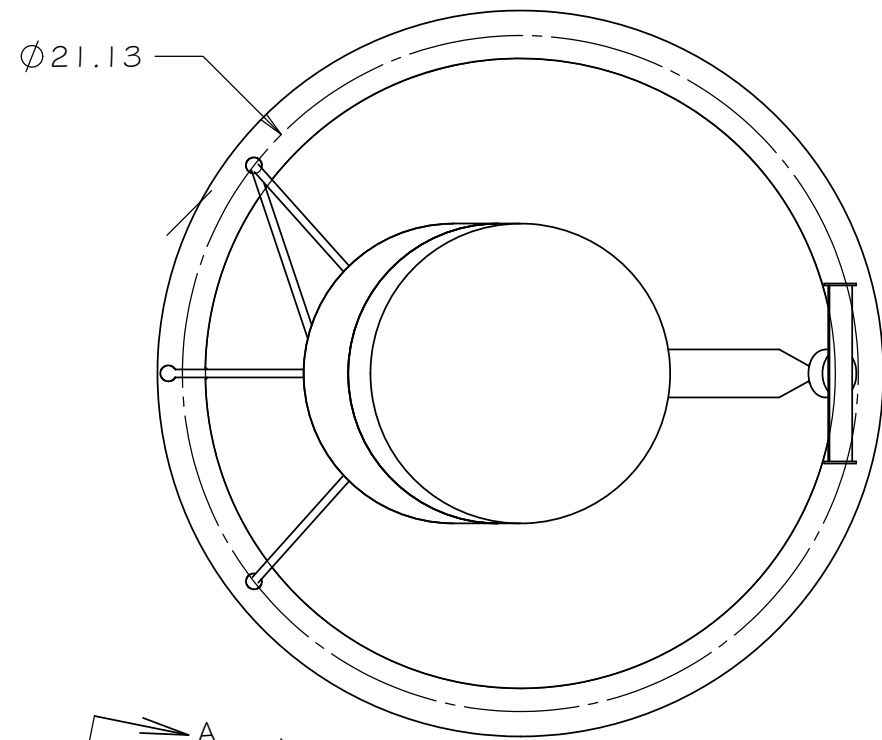


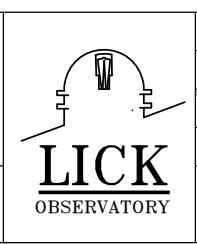
REVISIONS				
REV	DATE	DRWN	CHK'D	DESCRIPTION
A	--	GFC	--	INITIAL RELEASE
B	01MAR11	GFC	--	CHANGED SCALE FROM 1/4 TO 1/2
C	07SEP16	GFC	--	DOCUMENT CHANGE



UNLESS OTHERWISE NOTED DIMENSIONS ARE IN INCHES & TOLERANCES ARE AS FOLLOWS

X.X: ±0.1000" X.XX: ±0.0100"
 X.XXX: ±0.0050" X.XXXX: ±0.0001"
 ANGLES: ±0.5° FINISH: 125 MICRO INCHES
 BREAK ALL SHARP EDGES & CORNERS .002" MAX

MATERIAL	FINISH
--	--



DRAWN	CABAK	-	KECK I DEPLOYABLE TERTIARY MIRROR
CHECKED	-	-	PRELIMINARY SKETCHES & GENERAL LAYOUTS
DESIGNED	-	-	TITLE
APPROVED	-	-	CONCEPT B ASSEMBLY
SW DOCUMENT FILE	QUANTITY	PROJECT CODE	DWG NO
-	NA	TBD	872-LM0004
		NEXT ASSY	REV
			C