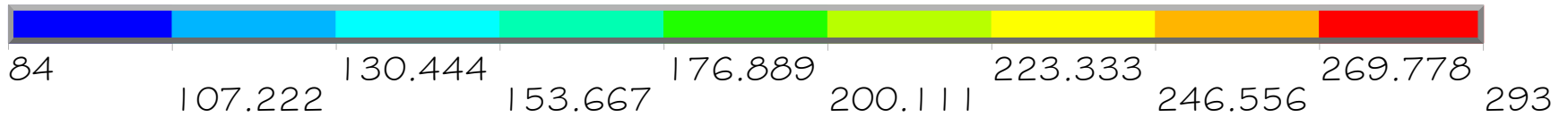
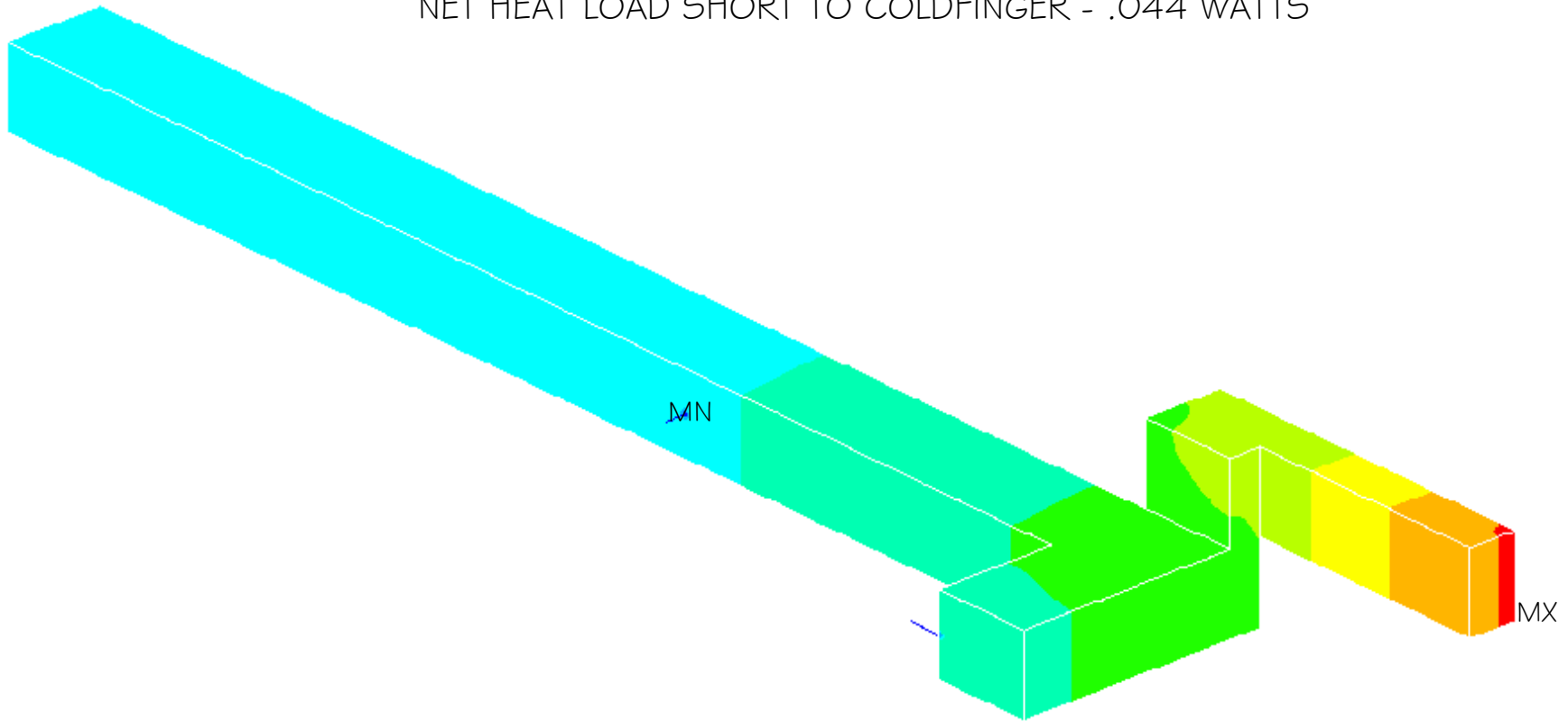


NODAL SOLUTION

STEP= 1  
SUB = 1  
TIME= 1  
TEMP (AVG)  
RSYS= 0  
SMN = 84  
SMX = 293

HOUSING @ 293K (20C)  
CFINGER @ 84K (-189C)  
NET HEAT LOAD SHORT TO COLDFINGER - .044 WATTS



HIRES CCD - COLDFINGER ANCHOR - 1/4 MODEL