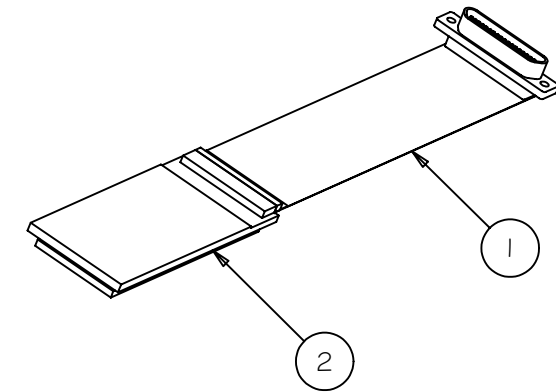
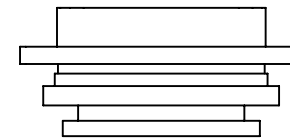
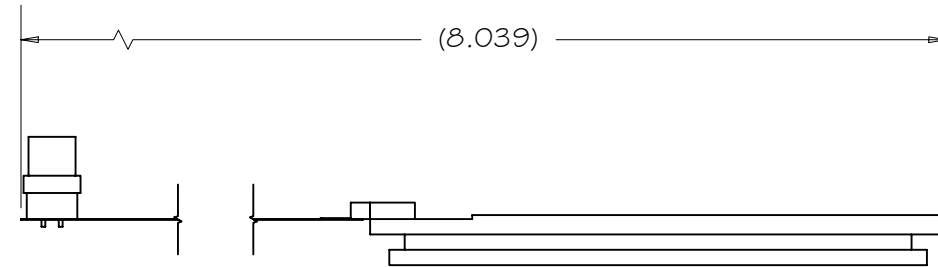
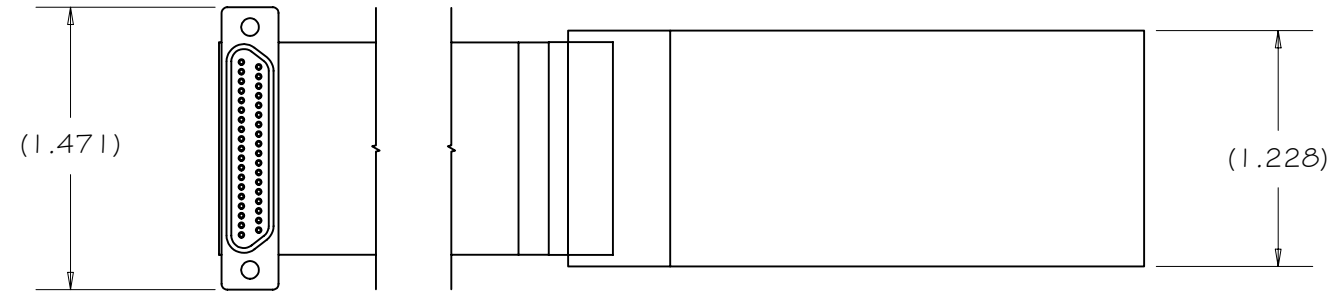


REV	DRWN	CHK'D	DATE	DESCRIPTION
A	GFC	GFC	9/23/03	INITIAL REALEASE



Parts List			
ITEM	QTY	PART NUMBER	DESCRIPTION
1	1	H-9443	CCD FLEX CIRCUIT/CONNECTOR
2	1	H-9442-X	CCD - SEE TABLE

DEVICE-ASSEMBLIES TABLE

H-9441-X	H-9442-X	DEVICE DESCRIPTION
H-9441-1	H-9442-1	BLUE CCD 17-7-1
H-9441-2	H-9442-2	MID CCD 17-7-6
H-9441-3	H-9442-3	RED CCD 2-2-1

TOLERANCES UNLESS OTHERWISE NOTED:
 FRACTIONAL: 0"-6": ±1/64" 6"-24": ±1/32"
 24"+: ±1/16"
 DECIMAL: X.X: ±0.1000" X.XX: ±0.0100"
 X.XXX: ±0.0050" X.XXXX: ±0.0001"
 ANGLES: ±0.5° FINISH: 125 MICRO INCHES
 BREAK ALL SHARP EDGES & CORNERS 1/64" MAX

MATERIAL	FINISH
PARTS LIST	



DRAWN	G CABAK	10/15/2002	HIRES CCD UPGRADE
CHECKED			CCD # BACKPLANE
DESIGNED	G CABAK		TITLE
ENGINEER	G CABAK		CCD SUB ASSEMBLY

PROJECT CODE	KHCCDE	DWG NO	H-9441	REV	A
NEXT ASSY	H-9440				

DO NOT SCALE DRAWING