

Service Data

Vickers®

# Vane Pumps

---



## Vane Type Single Pump

(F3)-V10(\*) Series -10 & 20 Designs

120 inch Pad Oil Pump

V10 1P2P 1A20

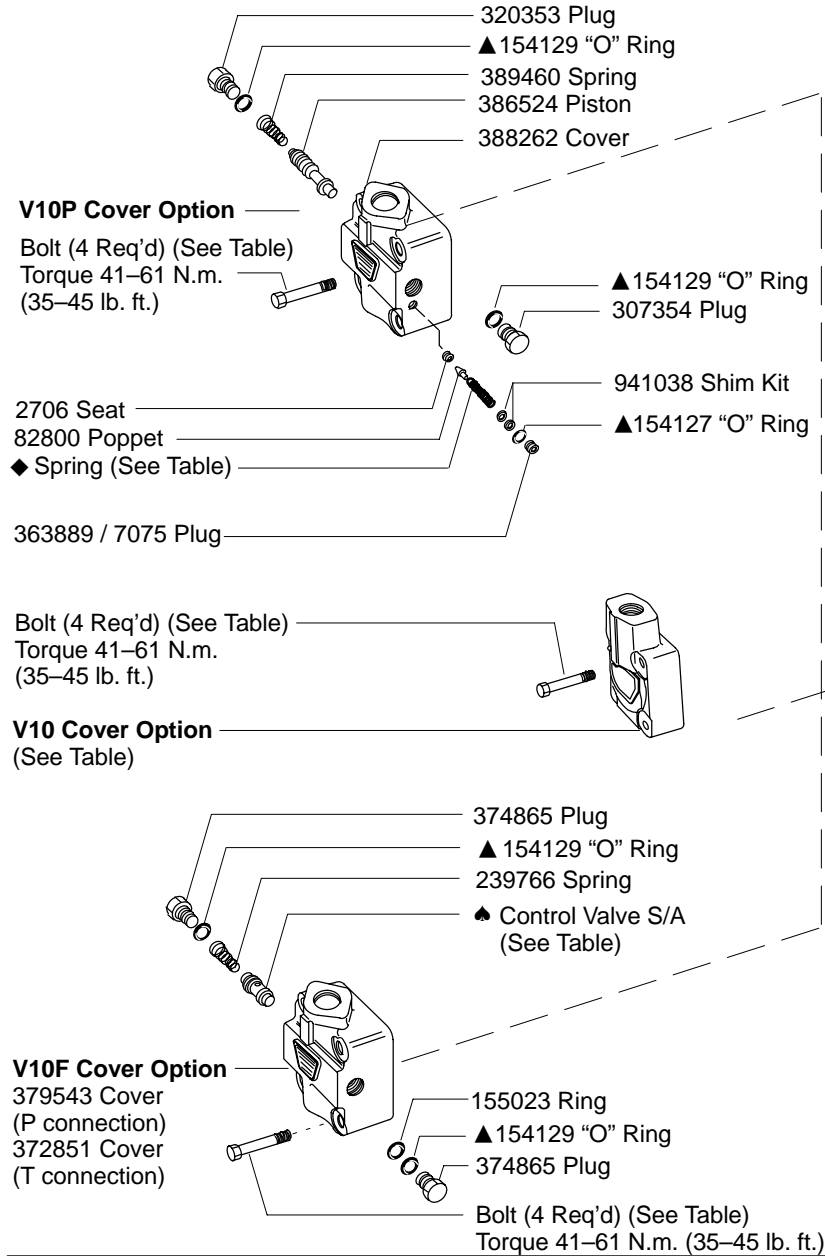


Revised 05-01-87

M-2005-S

SAE rated capacity (V10/F/P cartridge kits)

USgpm	○Rotor	○Vane Kit	○Ring	Pin (V10)	Pin (V10F/V10P)	Bolt (V10)	Bolt (V10F)	Bolt (V10P)	○Cart. Kit
1	317681	923499	317674	2460	231042	11156	432509	295344	923471
2			317675						923470
3			317676						923496
4	351247	923500	317677	39640	2456	1278	295344	432511	923469
5			317678						923468
6	357286	923501	355641	16662	351963		432511	295346	923497
7			331813						923498



Cover port connections

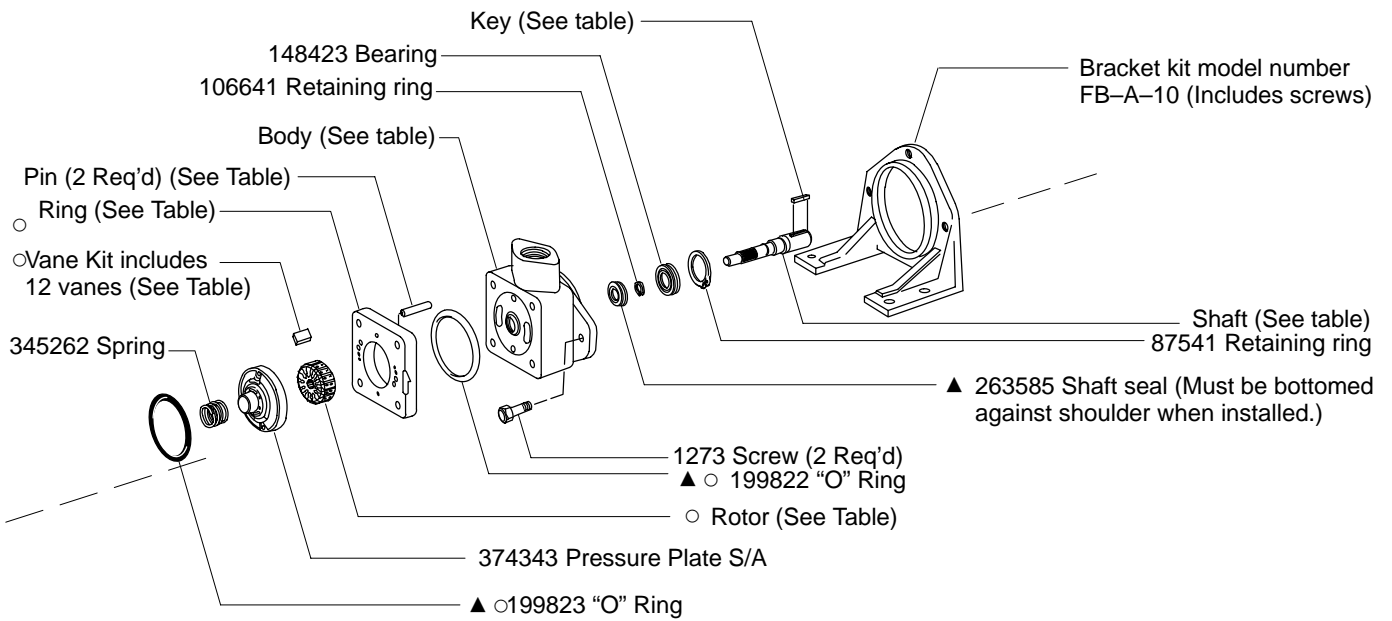
Code	V10 cover	V10F cover	V10P cover
P	372863	379543	—
R	372864	—	—
S	372865	—	—
Y	377829	—	—
T	—	372851	—
K	—	—	388262

Pressure setting – V10P/V10F (Omit for V10)

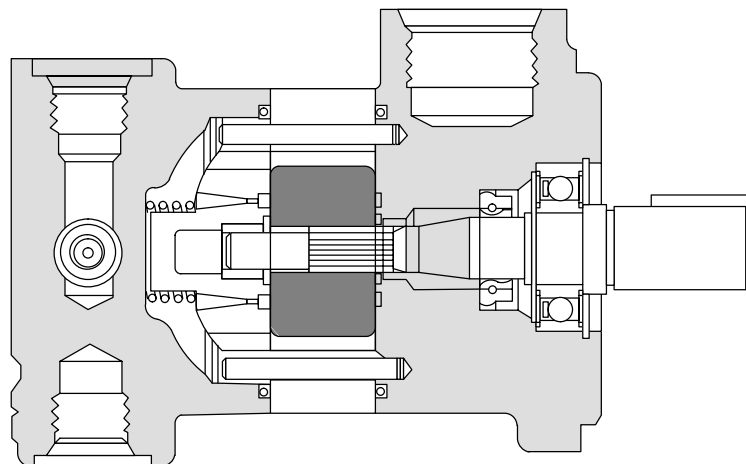
Code	Pressure setting V10P/V10F	◆ V10P Spring	▲ V10F control S/A
A	250 PSI	252886	229613
B	500 PSI	2280	233018
C	750 PSI		232794
D	1000 PSI	2282	232795
E	1250 PSI		232796
F	1500 PSI		232797
G	1750 PSI	2281	232798
H	2000 PSI		232799
J	2250 PSI		233019
K	2500 PSI		233020

- Included in V10 cartridge kit.
- ▲ Included in seal kit 923548  
F3 equivalent seal kit 919772

Model	Body
V10-*F**_**-20	574164
V10-*P**_**-20	352699
V10-*S**_**-20	317668
V10-*T**_**-10	370468

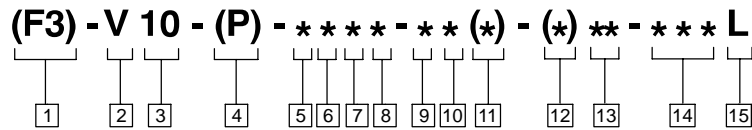


Model	Shaft	Key	Nut	Shaft type
V10-****-1	374338	142843	—	Straight
V10-****-3	374340	1605	8948	Theaded
V10-****-4	378959	1606	8948	Theaded
V10-****-6	382250	1609	—	Straight
V10-****-11	374339	—	—	Splined
V10-****-12	375480	—	—	Splined
V10-****-27	380281	—	—	Tang
V10-****-34	375485	—	—	Theaded
V10-****-38	387481	—	—	Splined



Typical Cutaway View

# Model Code



**1 Special seals**

**F3** – Special “O”Rings & seals for mineral oil & fire resistant fluid

**2 Vane Pump**

**3 Series 10**

**4 Pump cover options**

**F** – Flow control cover  
**P** – Priority valve cover  
**Omitted** – Standard cover

**5 Mounting**

**1** – 2 Bolt flange (SAE “A” size)  
**2** – Foot bracket at 12 O’Clock (Viewed from shaft end)  
**23** – Foot bracket at 3 O’Clock  
**26** – Foot bracket at 6 O’Clock  
**29** – Foot bracket at 9 O’Clock

**6 Inlet port connections**

**F** – 1.156 DIS. port  
**H** – 1” O.D. tube connection  
**K** – 1 5/16–12 UN 2B thread  
**P** – 1” NPT thread  
**S** – 1 5/16–12 straight thread  
**T** – 1 3/16–12 straight thread

**7 SAE rated ring capacity USGPM (1200 RPM – 100 PSI)**

<b>1</b> – 1 USgpm	<b>5</b> – 5 USgpm
<b>2</b> – 2 USgpm	<b>6</b> – 6 USgpm
<b>3</b> – 3 USgpm	<b>7</b> – 7 USgpm
<b>4</b> – 4 USgpm	

**8 Outlet port connections**

**V10 standard cover**

**K** – 1 5/16–12 UN 2B thread  
**P** – 1” NPT thread  
**S** – 1 5/16–12 straight thread  
**T** – 1 3/16–12 straight thread

**V10F Flow control cover**

**Pressure**

**P** – 3/4–16 straight thread  
**T** – 3/4–16 straight thread

**Tank**

**P** – 1/2” NPT thread  
**T** – 3/4–16 straight thread

**V10P Priority valve cover**

**Primary outlet**

**K** – 9/16–18 straight thread

**Secondary outlet**

**K** – 3/4–16 straight thread

**Tank**

**K** – 9/16–18 straight thread

**9 Shaft types**

**1** – Straight-keyed  
**3** – Threaded  
**4** – Threaded  
**6** – Straight stub-keyed  
**11** – Spline–9 tooth  
**12** – Spline–13 tooth  
**27** – Tang  
**34** – Threaded  
**38** – Spline–13 tooth

**10 Pressure port positions (Viewed from cover end)**

**A** – Opposite inlet  
**B** – 90° CCW from inlet  
**C** – Inline with inlet  
**D** – 90° CCW from inlet

**11 Flow rate in USGPM through orifice in cover**

**1** – 1 USGPM (V10P)  
**2** – 2 USGPM (V10F)

**12 Pressure setting ,V10F & V10P (Omit for standard cover)**

Code	Code
<b>A</b> – 250 psi	<b>F</b> – 1500 psi
<b>B</b> – 500 psi	<b>G</b> – 1750 psi
<b>C</b> – 750 psi	<b>H</b> – 2000 psi
<b>D</b> – 1000 psi	<b>J</b> – 2250 psi
<b>E</b> – 1250 psi	<b>K</b> – 2500 psi

**13 Design & Modification**

**14 Special feature suffix**

**15 Rotation (Viewed from shaft end of pump)**

**L** – Left hand for counterclockwise