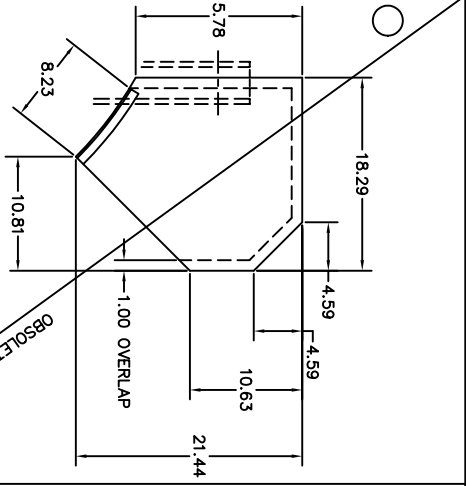


-0 SUB-ASSEMBLY

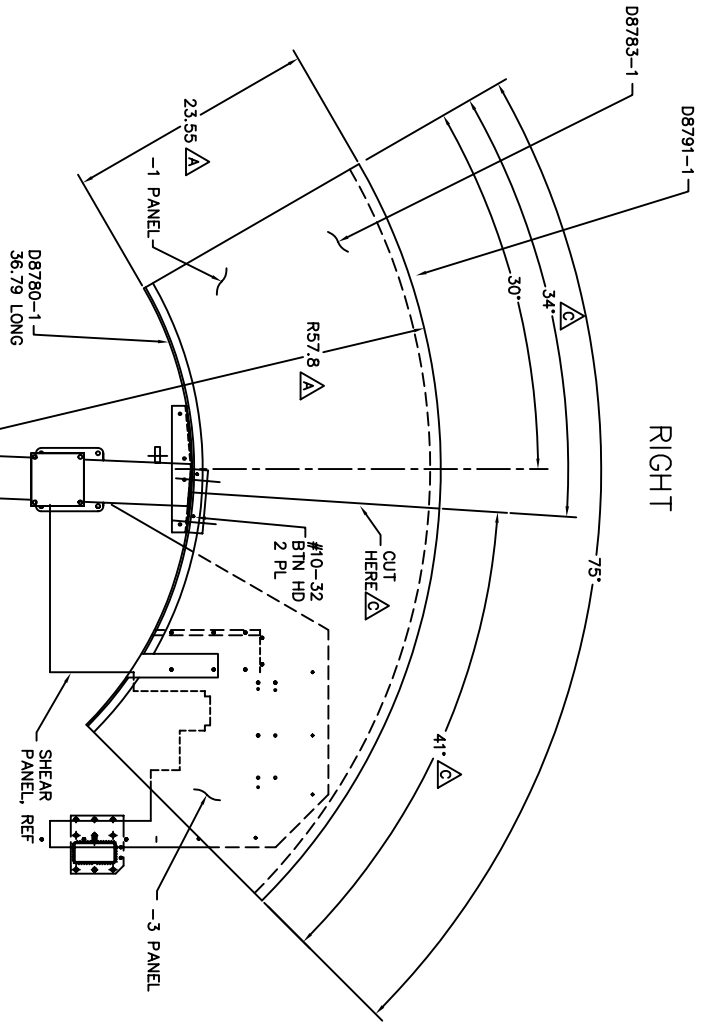
NOTES:
1. NEXT ASSY: D8801-1
HALF SIZE
DO NOT SCALE



-2 PANEL B

NOTES:
1. NEXT ASSY: D8801-1

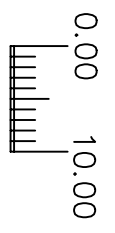
INCHES



-1 0° PANEL

NOTES:
1. NEXT ASSY: D8801-1

CHANGED BY
ECO # 81601



A	1/5	1/5	REDUCE INSTRUMENT DIAMETER BY 1"
B	1/5	1/5	ADD PANEL -3
C	1/5	1/5	ADD PANEL -3 OBSOLETE PANEL -2

1/5

KECK/DEMOS
FORWARD STRUCTURE
DETAIL

J. 5 23 01
D8802.C