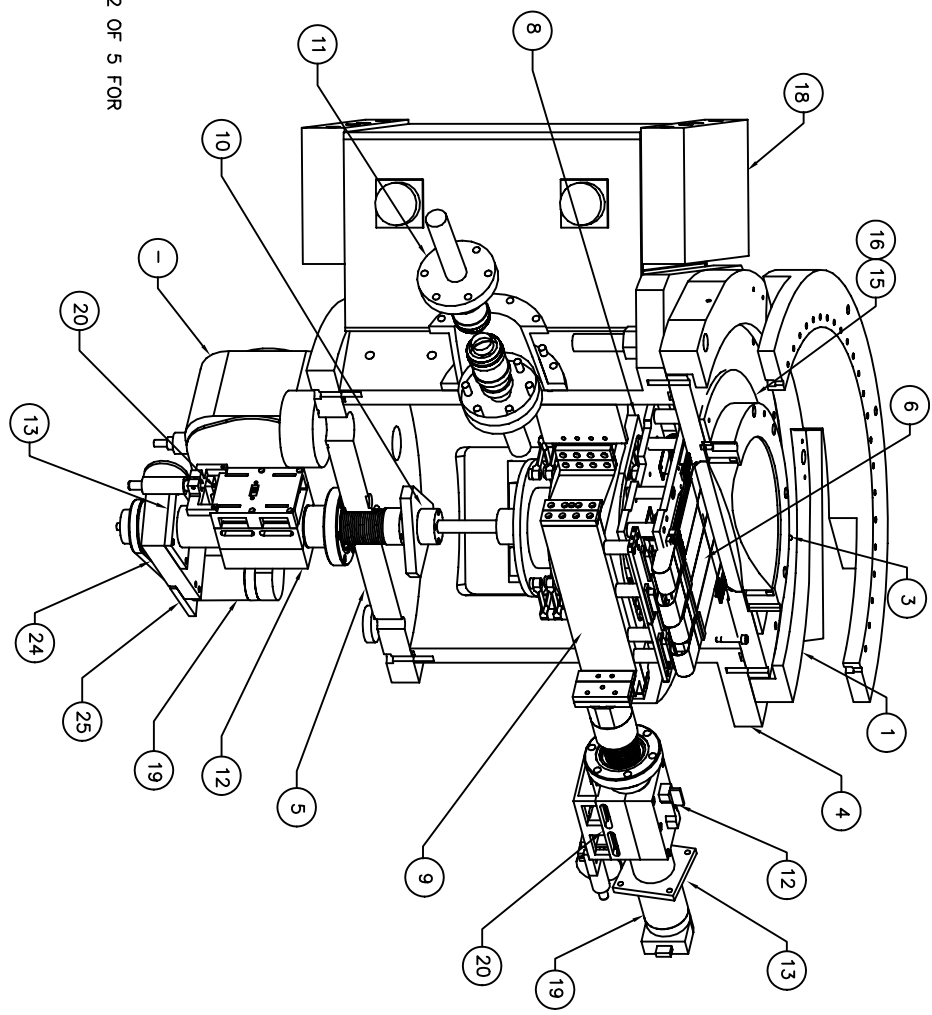


SEC. C-C

FROM D7160, SHT. 2 OF 5

NOTES:
1. SEE D7160, SHT. 2 OF 5 FOR PARTS LIST.



SEC. C-C

OF SOLID MODEL
D7160, SHT. 1 OF 6

| PART NO. | FILE | QTY | DESCRIPTION | MATERIAL | PART NO. | FILE | QTY | DESCRIPTION | MATERIAL |
|---|------|-----|-------------|----------|-----------------------|------|-----|-------------|----------|
| TOLERANCES UNLESS OTHERWISE NOTED: DIMENSIONS ARE GIVEN IN DECIMALS IN INCHES UNLESS OTHERWISE NOTED. HOLE DIMENSIONS ARE GIVEN IN DECIMALS IN INCHES UNLESS OTHERWISE NOTED. HOLE SHARP EDGES AND CORNERS 1/16 MINIMUM. | | | | | | | | | |
| | | | | N/A | | | | | |
| DEWMAR ASSY UNIVERSITY OF CALIFORNIA LICK OBSERVATORY KECK/DEIMOS | | | | | D7160P SHT. 5 OF 5 | | | | |