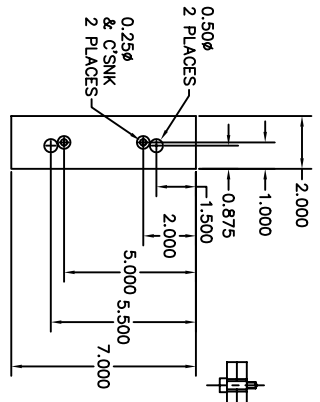
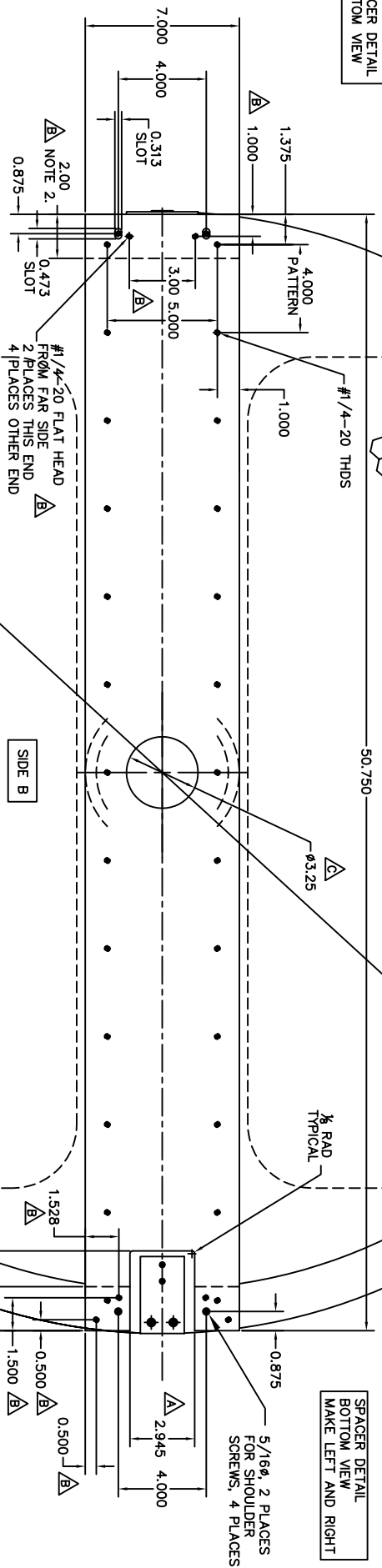


INCHES

0.00 1/100



SPACER DETAIL
BOTTOM VIEW



BAFFLE MOUNT PLATE

1 REQ'D
 MAT'L - 3/8 THICK ALUMINUM
 FINISH - BLACK ANODIZE

1. NEXT ASSEMBLY: D2100-1
 2. 3/8 THICK ALUM SPACERS

NOTES:

REV	DATE	BY	CHKD	DESCRIPTION
A	11/18/10	JL	JK	ISSUE TO ASSEMBLY
B	11/18/10	JL	JK	ISSUE FOR TESTING
C	11/18/10	JL	JK	ISSUE FOR TESTING
D	11/18/10	JL	JK	ISSUE FOR TESTING
E	11/18/10	JL	JK	ISSUE FOR TESTING

SPACER DETAIL
BOTTOM VIEW
MAKE LEFT AND RIGHT

