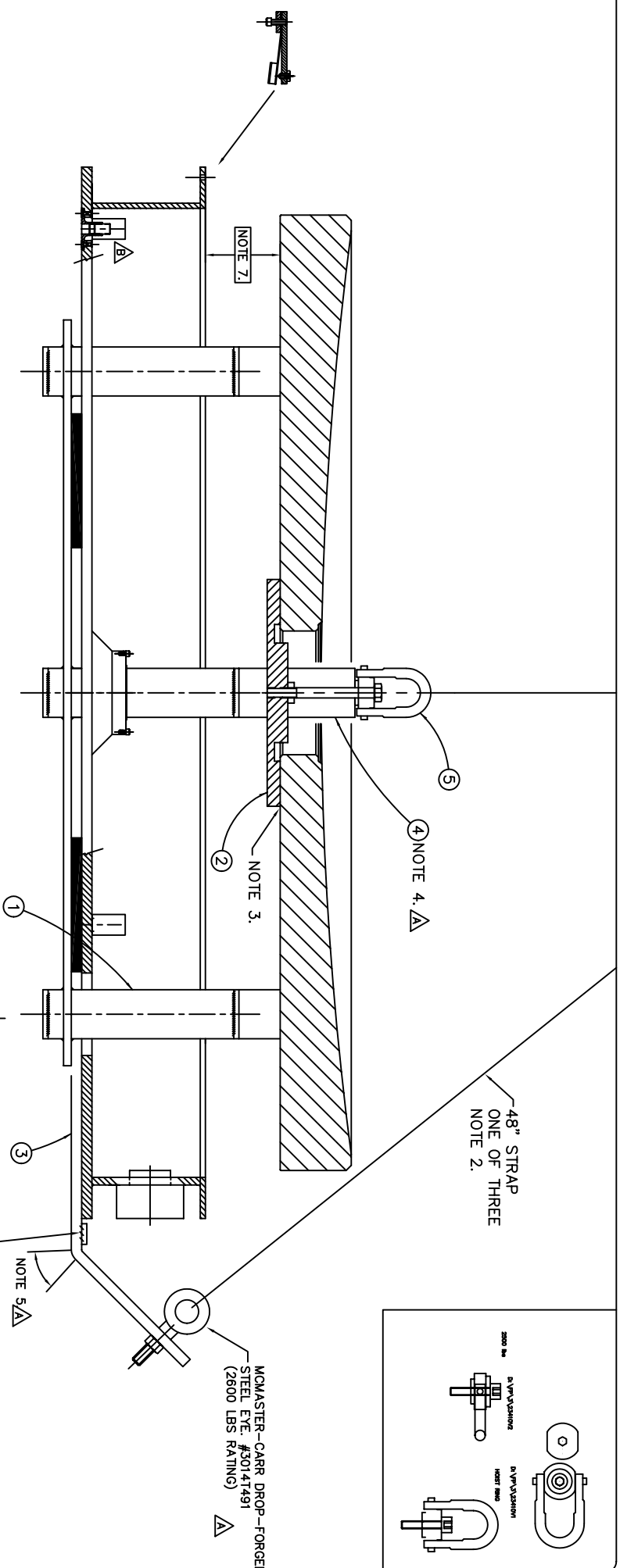


0.00 4.00
INCHES



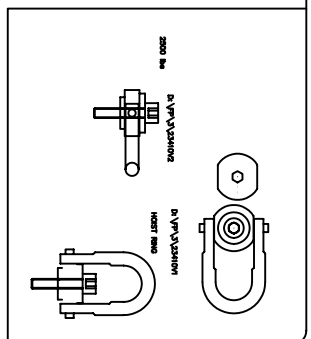
-1 GENERAL LIFTING PLAN

1 RECD
NOTES:

1. JERGENS P/N 23410
2. SLING: 4 FEET. MCMMASTER-CARR P/N 33607222
EDGE GUARD NYLON TYPE 66/2 PLY/1" WIDE
6200 LBS VERTICAL LOAD RATING
3. 1/4" THICK NEOPRENE GLUED TO DISK
4. 2.38 ϕ X 3.25 LONG, RETAINING RING.
5. HEAT AND BEND THIS REGION AT 45°
6. 0.25 X 1.0 BLOCK, WELD EDGES ONLY
7. GAP IS LARGE ENOUGH TO REACH IN FOR ITEM 2.

48" STRAP
ONE OF THREE
NOTE 2.

MCMMASTER-CARR DROP--FORGED
STEEL EYE. #30147491
(2600 LBS RATING)



QTY	DESCRIPTION	UNIT	NOTE
5	1 HINGE RING 1/2"-13	ALUM	NOTE 5.
4	1 SPACER	STEEL	
3	1 SPACER RING	STEEL	
2	1 INSTALLATION TOOL	STEEL	

A	B	C	D	E	F	G	H	I	J	K	L	M	N	O	P	Q	R	S	T	U	V	W	X	Y	Z