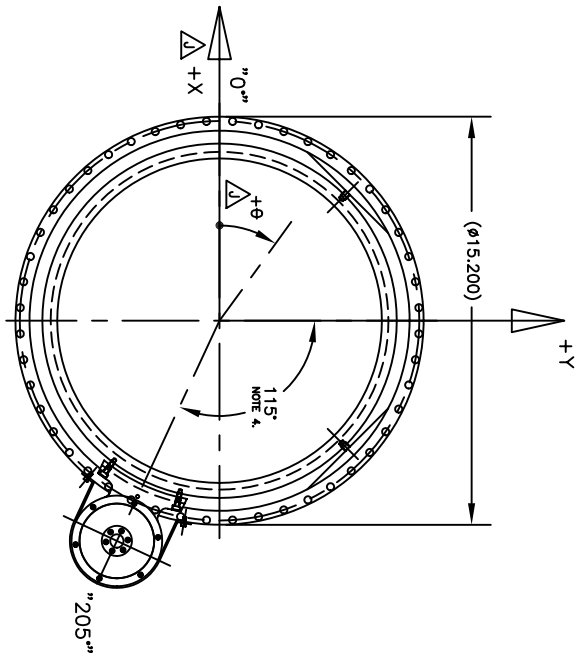


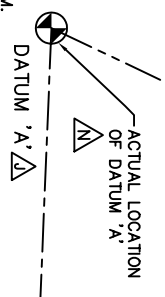
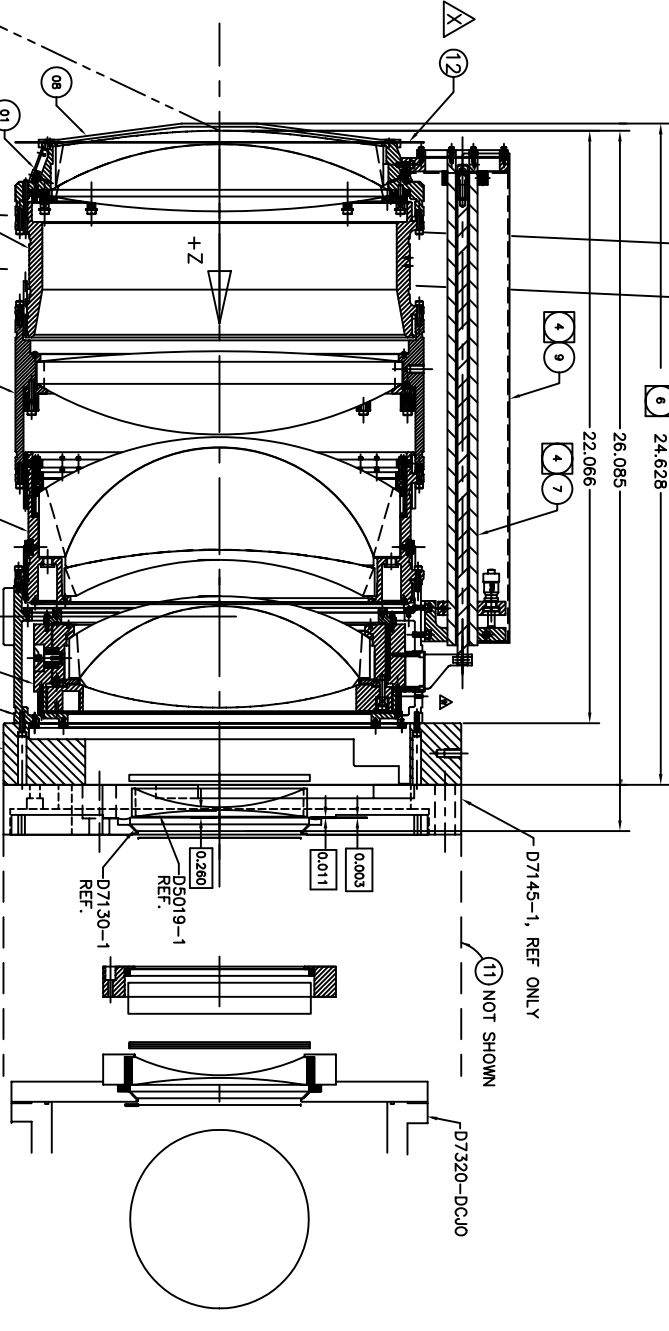
DESIGNED	JAS	DATE	11/97	TITLE	DEIMOS CAMERA ASSEMBLY	SCALE	DWG NO.	D100000	SHEET	REV.	THE J. ALAN SCHIER COMPANY P.O. Box 4418, San Clemente, CA 92674 28352, Marguerite Pkwy, Mission Viejo, CA 92692 (714)361-3001, Fax: (714)361-3091
DRAWN	KC	DATE	12/12/97	JOB NO.	056773	DWG SIZE	B	FILENAME	D1000001.dwg	T	

THIS VIEW IS  
LOOKING INTO  
DEIMOS



**-1 CAMERA ASSEMBLY**

- 1 REQD  
NEXT ASSY - D0001-1
- NOTES: UNLESS OTHERWISE SPECIFIED  
1. TOLERANCES:  
.XX ±.01  
.XXX ±.005  
ANGLES ±0.1°
- APPLY ANTI-SEIZE TO ALL HARDWARE THREADS.
  - GAGE PINS DIAMETER SELECTED AT ASSEMBLY BASED ON FINISHED PART DIMENSIONS.
  - TEMP. COMP. IS SHOWN ROTATED BY 115°.
  - LOCAL CAMERA LENS COORDINATE SYSTEM IS SHOWN. THIS IS CONSISTENT WITH THE D0700 INSTRUMENT SYSTEM. +Z ARROW IS ROTATED BY 2.33° FROM DEIMOS ROTATING AXIS (DATUM 'B').
  - WEIGHT = 420 LBS.
  - SEE D5008-1 FOR ACHIEVED DIMENSIONS
  - ITEMS #8 AND #12 CANNOT BE INSTALLED AT THE SAME TIME
  - INSTALL ITEM -12 WITH FLAT TOWARD TENT MIRROR



P	R	H	Q	L	Q	ADD DRIVE DISK
R	R	Z	Q	W	Q	ADD CAMERA MOUNT
T	N	Z	Q	W	Q	REWORK PER AS BUILT
U	H	Q	L	Q	Q	CHANGE NEXT ASSY. WAS D5150
V	H	Q	L	Q	Q	PALETTE PER AS BUILT
W	H	Q	L	Q	Q	RE-LOCATE DATUM A, ADD DENAR.
X	H	Q	L	Q	Q	RE-LOCATE DATUM A, ADD DENAR.
Y	H	Q	L	Q	Q	CHANGE NEXT ASSY. WAS D5008-1

PART NO.	QTY	DESCRIPTION	MATERIAL	SCALE
D100118-1	12	FRONT BATTLE	ASSY	
D7160-1	11	DENAR	ASSY	
D101000-1	10	ADAPTER PLATE	SST 303	
D100900-1	09	COVER, THERMAL COMP ASSY	ALUM	
D100800-1	08	COVER, BODY #1	ALUM	
D100700-1	07	THERMAL COMPENSATOR ASSY		
D100600-1	06	BODY #5 ASSEMBLY		
D100500-1	05	BODY #4 ASSEMBLY		
D100400-1	04	BODY #3 ASSEMBLY		
D100300-1	03	BODY #2 ASSEMBLY		
D100200-1	02	BARREL SEGMENT ASSEMBLY		
D100100-1	01	BODY #1 ASSEMBLY		

UNIVERSITY OF CALIFORNIA  
LICK OBSERVATORY  
CAMERA ASSEMBLY  
J. ALAN SCHIER COMPANY  
KECK/DEIMOS